

**CHARACTERISTICS**

**GENERAL DATA**

Focusing Method . . . . .	Electrostatic
Deflecting Method . . . . .	Electrostatic
Phosphor . . . . .	P4
Fluorescence . . . . .	White
Persistence . . . . .	Medium
Faceplate . . . . .	Clear

**ELECTRICAL DATA**

Heater Voltage . . . . .	6.3 Volts
Heater Current (approx.) . . . . .	0.6 Ampere
Direct Interelectrode Capacitances (approx.)	
Cathode to All Other Electrodes . . . . .	5.0 $\mu\mu\text{f}$
Grid No. 1 to All Other Electrodes . . . . .	6.0 $\mu\mu\text{f}$
Between Vertical Deflecting Plates . . . . .	3.0 $\mu\mu\text{f}$
Between Horizontal Deflecting Plates . . . . .	2.0 $\mu\mu\text{f}$
Either Vertical Deflecting Plate to	
All Other Electrodes Except	
Other Vertical Plate . . . . .	6.0 $\mu\mu\text{f}$
Either Horizontal Deflecting Plate	
to All Other Electrodes Except	
Other Horizontal Plate . . . . .	5.0 $\mu\mu\text{f}$

**MECHANICAL DATA**

Minimum Useful Screen Dimension (Diameter) . . . . .	6 Inches
Base (Medium Shell Diheptal 12-Pin) . . . . .	B12-37
Basing . . . . .	14R

**RATINGS**

**MAXIMUM RATINGS (Design Center Values)**

Anode Voltage . . . . .	6,000 Volts dc
Focusing Anode Voltage . . . . .	2,800 Volts dc
Grid No. 1 Voltage . . . . .	
Negative Bias Value . . . . .	200 Volts dc
Positive Bias Value . . . . .	0 Volts dc
Positive Peak Value . . . . .	2 Volts
Heater Negative with Respect to Cathode	
During Warm-up Period Not to	
Exceed 15 Seconds . . . . .	410 Volts dc
After Equipment Warm-up Period . . . . .	125 Volts dc
Heater Positive with Respect to Cathode . . . . .	125 Volts dc
Peak Voltage Between High Voltage	
Anode and Any Deflecting Plates . . . . .	750 Volts

**RECOMMENDED OPERATING CONDITIONS**

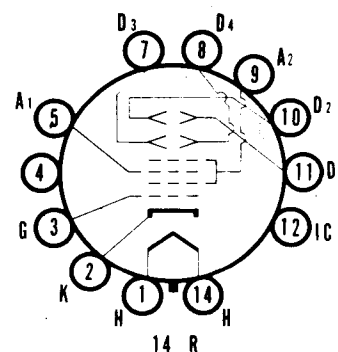
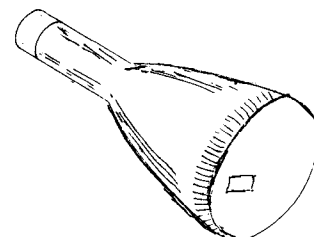
Anode Voltage . . . . .	6,000 Volts dc
Focusing Anode Voltage . . . . .	1,620-2,400 Volts dc
Grid No. 1 Voltage Required for	
Cutoff <sup>1</sup> . . . . .	-72 to -168 Volts dc
Deflection Factor . . . . .	
Vertical Plates <sup>2</sup> . . . . .	216 Volts dc/Inch
Horizontal Plates <sup>3</sup> . . . . .	177 Volts dc/Inch

**CIRCUIT VALUES**

Grid No. 1 Circuit Resistance . . . . .	1.5 Megohms Max.
Deflection Circuit Resistance . . . . .	5.0 Megohms Max.

**QUICK REFERENCE DATA**

Television Picture Tube  
7" Direct Viewed  
Round Glass Type  
Electrostatic Deflection  
Electrostatic Focus



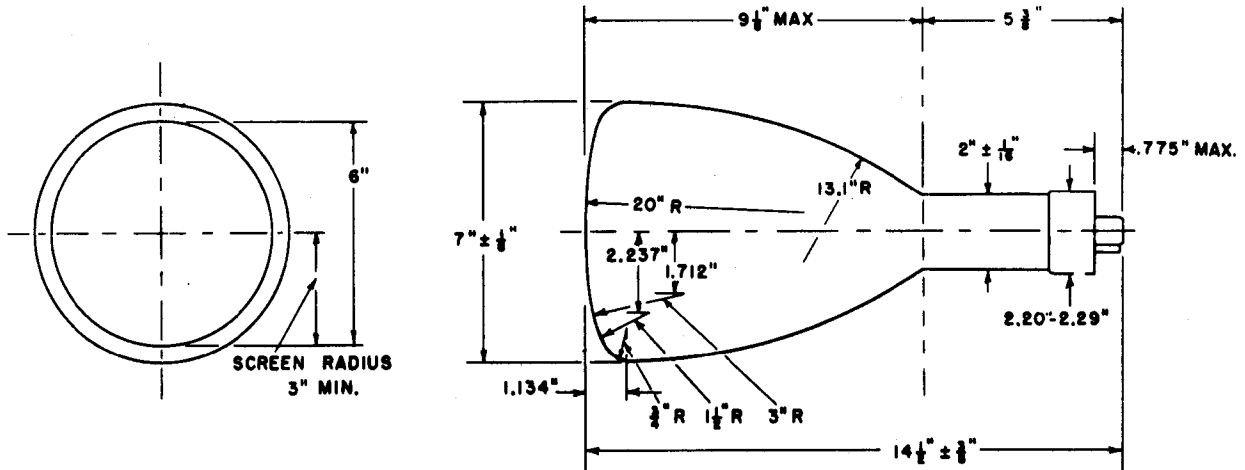
**SYLVANIA ELECTRIC PRODUCTS INC.**

*Prepared and Released By The  
TECHNICAL PUBLICATIONS SECTION  
EMPORIUM, PENNSYLVANIA*

JULY 1953

**NOTES:**

- 1. Visual extinction of undeflected focused spot.
- 2. Pins 10 and 11.
- 3. Pins 7 and 8.



S52022

**DIAGRAM NOTES:**

- 1. The screen diameter for Type 7JP7 is 5 1/2 inches.

**7JP1**

The Type 7JP1 is identical to the Type 7JP4 except it has a green phosphor.

**7JP7**

The Type 7JP7 is identical to the Type 7JP4 except it has a blue-white, long persistence phosphor and a screen diameter of 5 1/2 inches.

**WARNING:**

X-ray radiation shielding may be necessary to protect against possible danger of personal injury from prolonged exposure at close range if this tube is operated at higher than the manufacturer's Maximum Rated Anode Voltage or 16,000 volts, whichever is less.