

Ceramic Tube | F5008A

F5008A

TRIODE THYRATRON IN CERAMIC BULB

The thyatron F 5008A is designed for operation at high ambient temperatures or at low atmospheric pressure.

Its reinforced internal structure ensures high mechanical strength (vibration, bumps).

GENERAL CHARACTERISTICS

TENTATIVE
DATA

- Cathode : oxide
- Filaments :
 - . cathode : 6.3 V) 70 Watts
 - . reservoir : 6.3 V) approx.

	High ambient temperature	Ambient temperature = 20° C
Direct peak anode volts(kV)	16	20
Inverse peak anode volts(kV)	16	20
Peak anode current(A)	150	500
Mean anode current(mA)	450	500
Power factor(Vcr x Icr x r)	7.2×10^9	10×10^9
Grid pulse voltage(V)	200(appr.)	200(appr.)
Grid impedance(Ω)	500(appr.)	500(appr.)
Grid pulse duration(μ s)	2(appr.)	2(appr.)
Grid pulse rise time(μ s)	0.5(appr.)	0.5(appr.)
	(26 % to 70 %)	(26 % to 70 %)
Pulse repetition frequency	up to about 2500 c/s without bias, up to 50 000 c/s with bias.	



DIVISION TUBES ÉLECTRONIQUES
79, boulevard Haussmann - Paris 8^e - ANJ 84-60

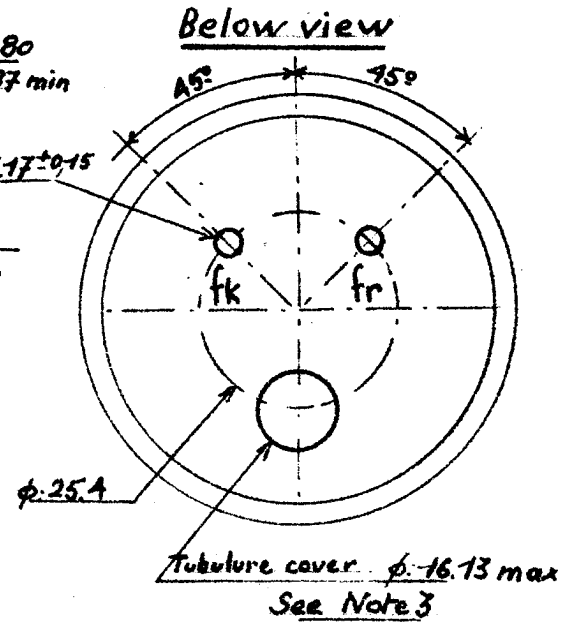
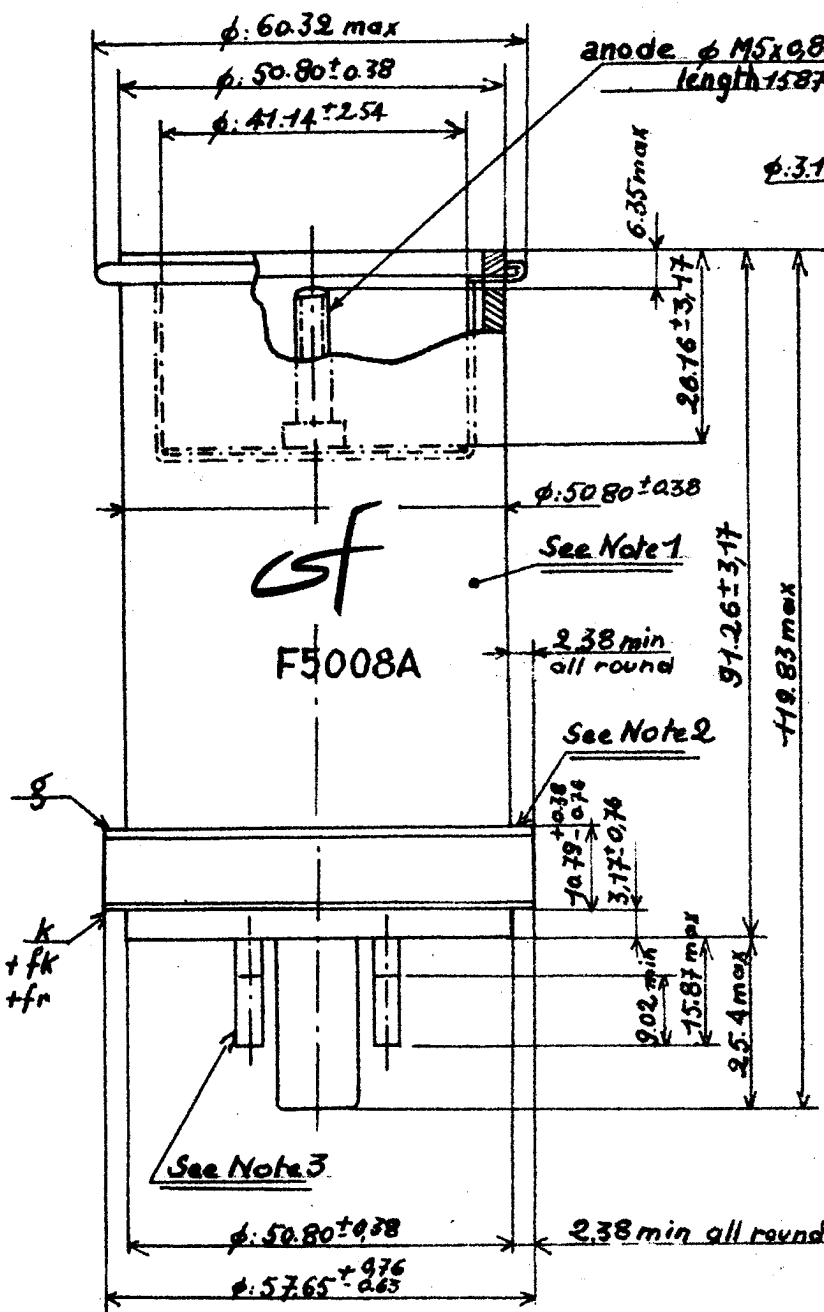
S. A. au Capital de 84.066.600 NF
Siège Social: 79, Bd HAUSSMANN, PARIS-8^e

CSF COMPAGNIE GÉNÉRALE DE TÉLÉGRAPHIE SANS FIL

October 1962

6210 - C13 - E - 1/2

OUTLINE



NOTES :

- 1- Avoid all metal contact with the ceramic bulb.
- 2- Radius of brazing : 1 mm max. the brazing film may be extend to the surfaces beyond the brazing filet.
- 3- The tubulure cover is not use as a conductor
- 4- Contact to be made on the terminal part only, below the brazing; no pressure to be applied on this brazing or above it.
- 5- Dimensions without tolerance given for information only.



DIVISION TUBES ÉLECTRONIQUES
78, boulevard Haussmann - Paris 8^e - ANJ 84-60

S. A. au Capital de 84 066.600 NF
Siege Social: 79, Bd HAUSSMANN, PARIS 8^e

CSF COMPAGNIE GÉNÉRALE DE TÉLÉGRAPHIE SANS FIL