



**DESCRIPTION**

The F-7100 is a diode designed for rectifier service or in special applications in shunting or charging circuits. The exceptionally rugged construction, free of internal insulators, spring tensioning devices, and fragile elements, make this type adaptable to a wide range of uses. The anode is forced air cooled and is capable of dissipating 3.5 kilowatts. The cathode is a thoriated tungsten bifilar helix.

**ELECTRICAL**

Filament Voltage 15 volts  
 Filament Current 36 amperes  
 Filament Starting Current

Full rated filament voltage may be safely applied to the cold filament

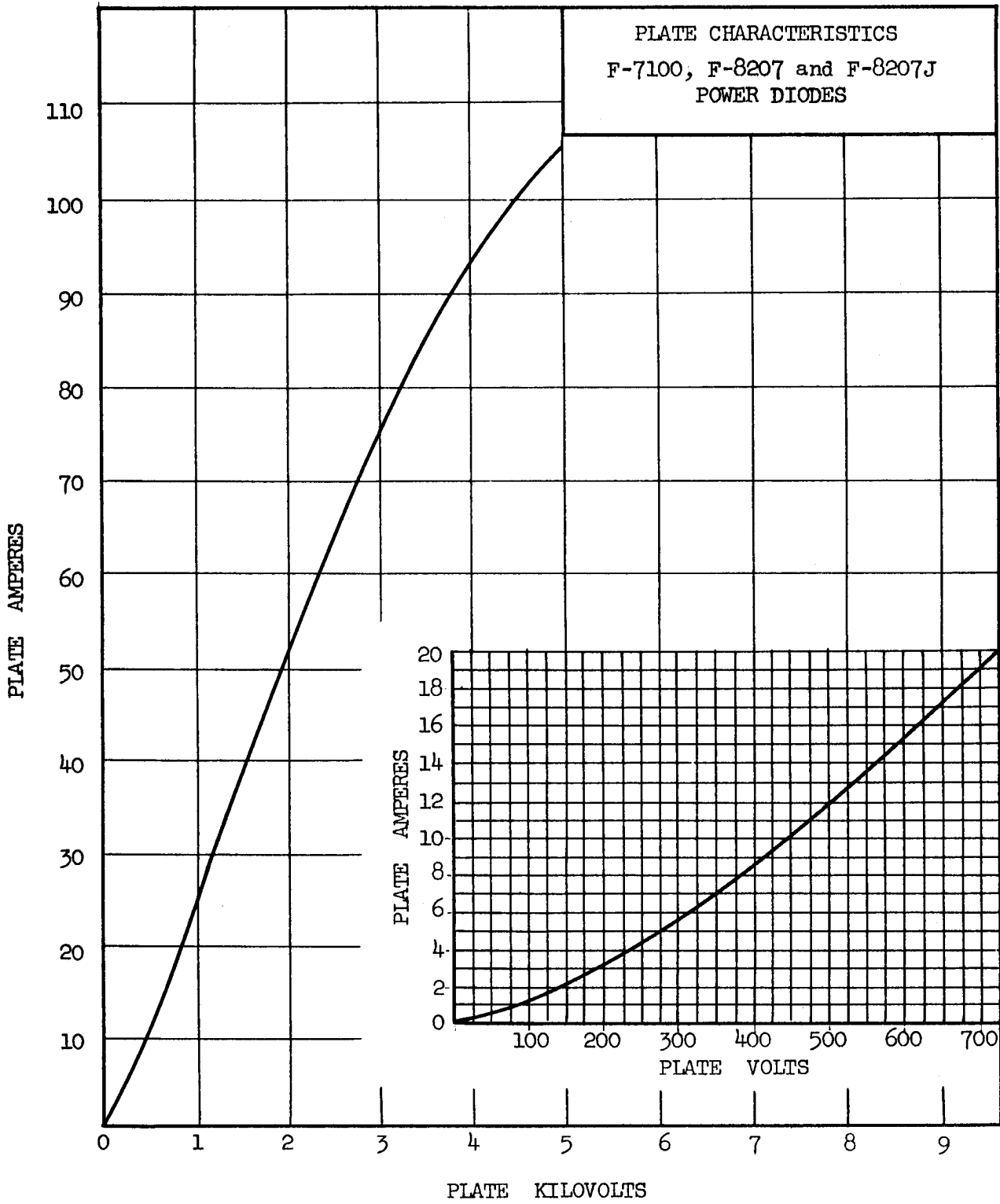
| Maximum Ratings                | <u>Shunt</u> | <u>Charging</u> | <u>Rectifier</u> |
|--------------------------------|--------------|-----------------|------------------|
| Max. Peak Inverse Voltage - kv | 30           | 30              | 30               |
| Max. Peak Plate Current - amps | 100          | 7.5 rms         | 20               |
| Max. Plate Current - amps      | -            | -               | 6 avg.           |

**MECHANICAL**

|                               |                            |     |        |
|-------------------------------|----------------------------|-----|--------|
| Mounting Position             | Vertical, anode up or down |     |        |
| Type of Cooling               | Forced Air                 |     |        |
| Anode Air Flow Required       |                            |     |        |
| Plate Dissipation - kw        | 3.5                        | 2.8 | 2.4    |
| Air Flow - cfm                | 190                        | 125 | 75     |
| Pressure - inches of water    | 1.6                        | .78 | .35    |
| Max. Incoming Air Temperature |                            |     | 45 °C  |
| Max. Glass & Seal Temperature |                            |     | 180 °C |
| Net Weight, approximate       |                            |     | 7 lbs. |

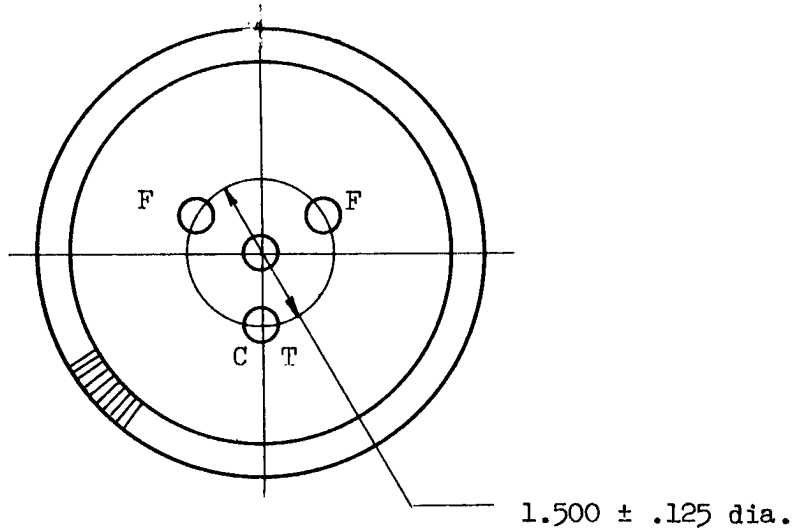
Additional information for specific applications can be obtained from:

Electron Tube Applications Section  
 ITT Components Division  
 P.O. Box 412  
 Clifton, New Jersey

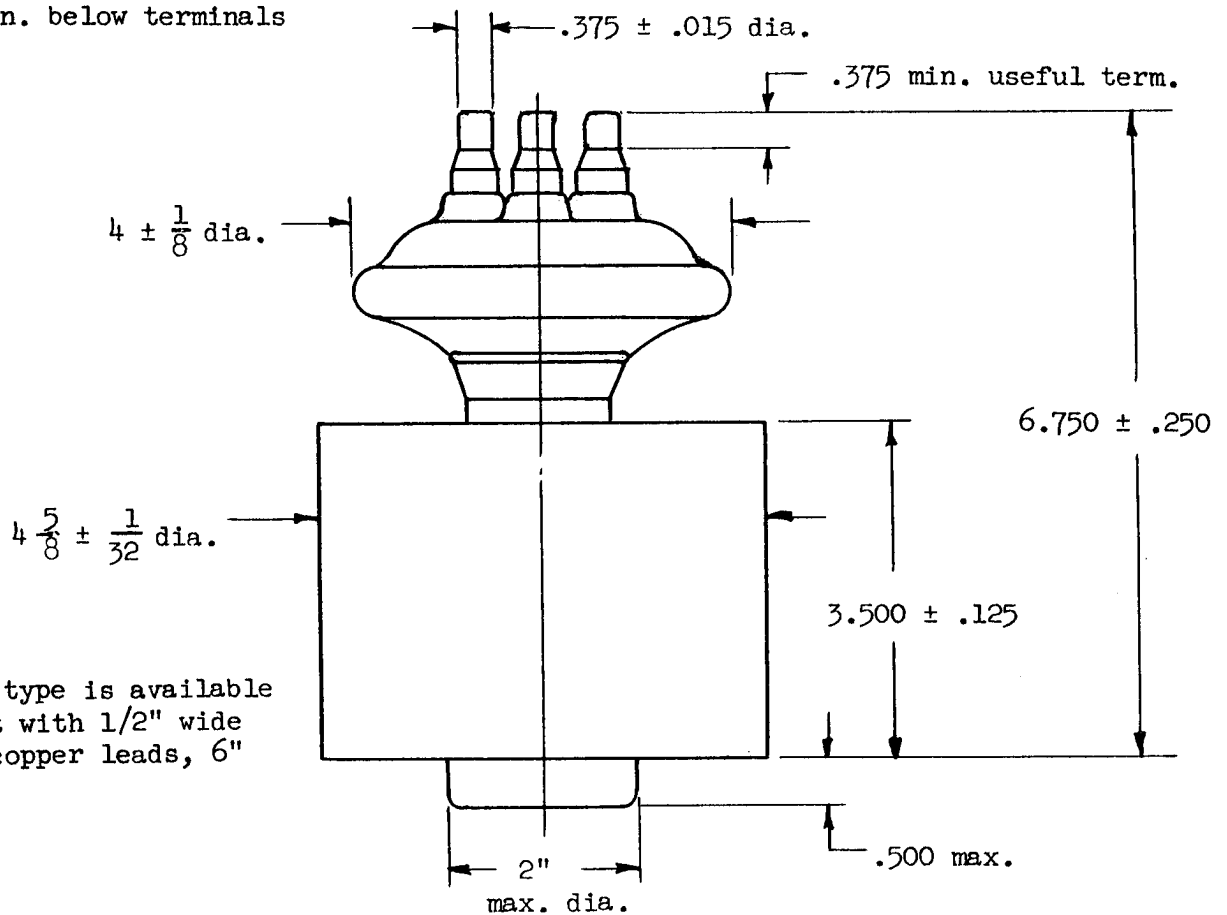


Color Code

Fil. Terminal - Yellow  
Fil. C. Term. - Red



Tubulation tip-off to be  
1/8" min. below terminals



This tube type is available  
on request with 1/2" wide  
flexible copper leads, 6"  
long.

ACCESSORIES

Air Jacket - RT-54887 Type II

OUTLINE

F-7100 POWER DIODE

