



DESCRIPTION

The F-7975 is a diode designed for rectifier service or in special applications in shunting or charging circuits. The construction is exceptionally rugged with a thoriated tungsten filamentary cathode of bifilar helical construction. The anode is forced air-cooled and is capable of dissipating 3.5 kw.

ELECTRICAL

Filament Voltage 15 volts
 Filament Current 36 amperes
 Filament Starting Current

Full rated filament voltage may be safely applied to the cold filament

<u>Maximum Ratings</u>	<u>Shunt</u>	<u>Charging</u>	<u>Rectifier</u>
Max. Peak Inverse Voltage	55	55	46 kilovolts
Max. Peak Plate Current	100	100	21 amperes
Max. Average Plate Current	-	-	5 amperes
Max. Peak Inverse Voltage x Average Plate Current			165,000
Inter-Electrode Capacitance			11.5 μf

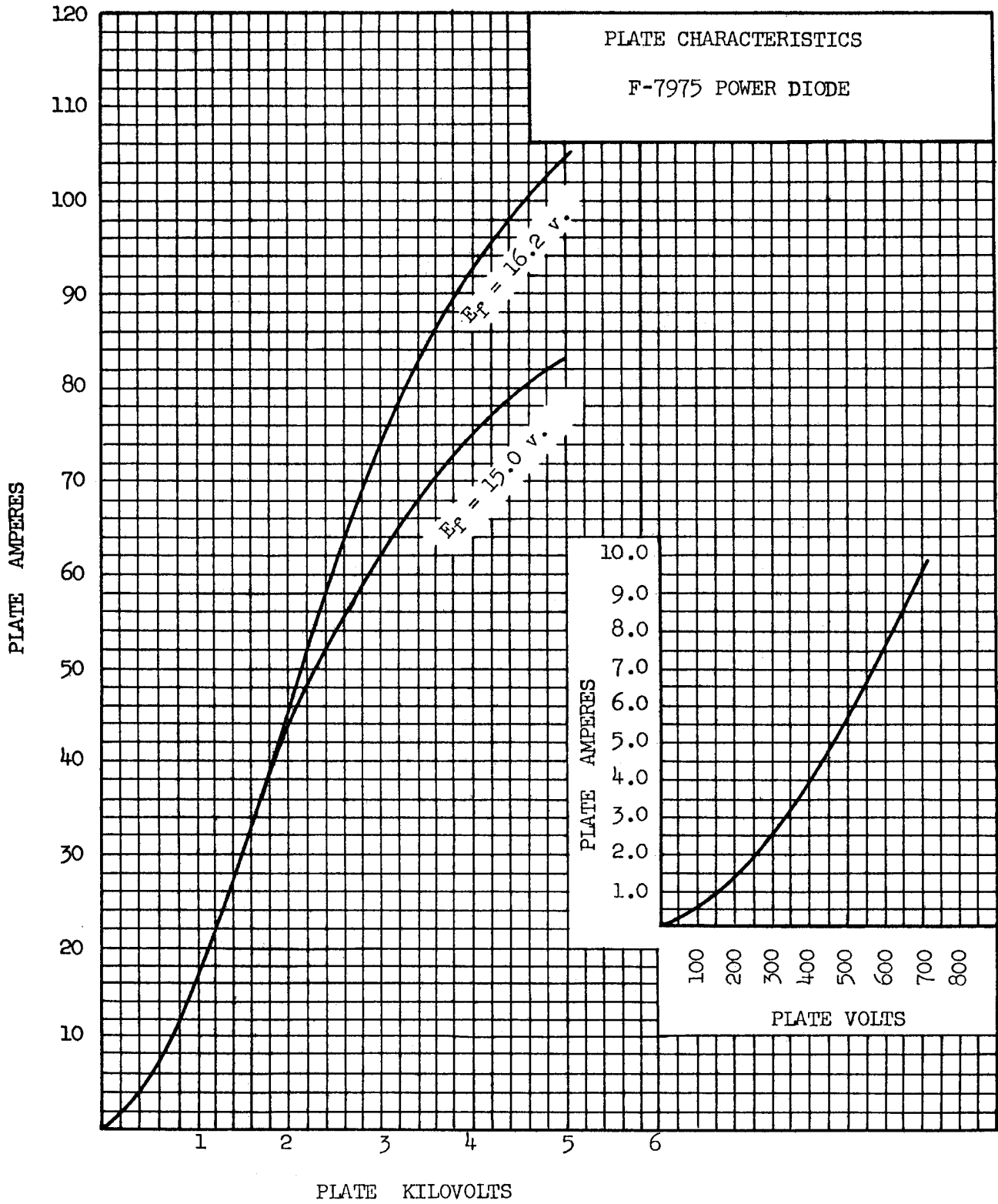
MECHANICAL

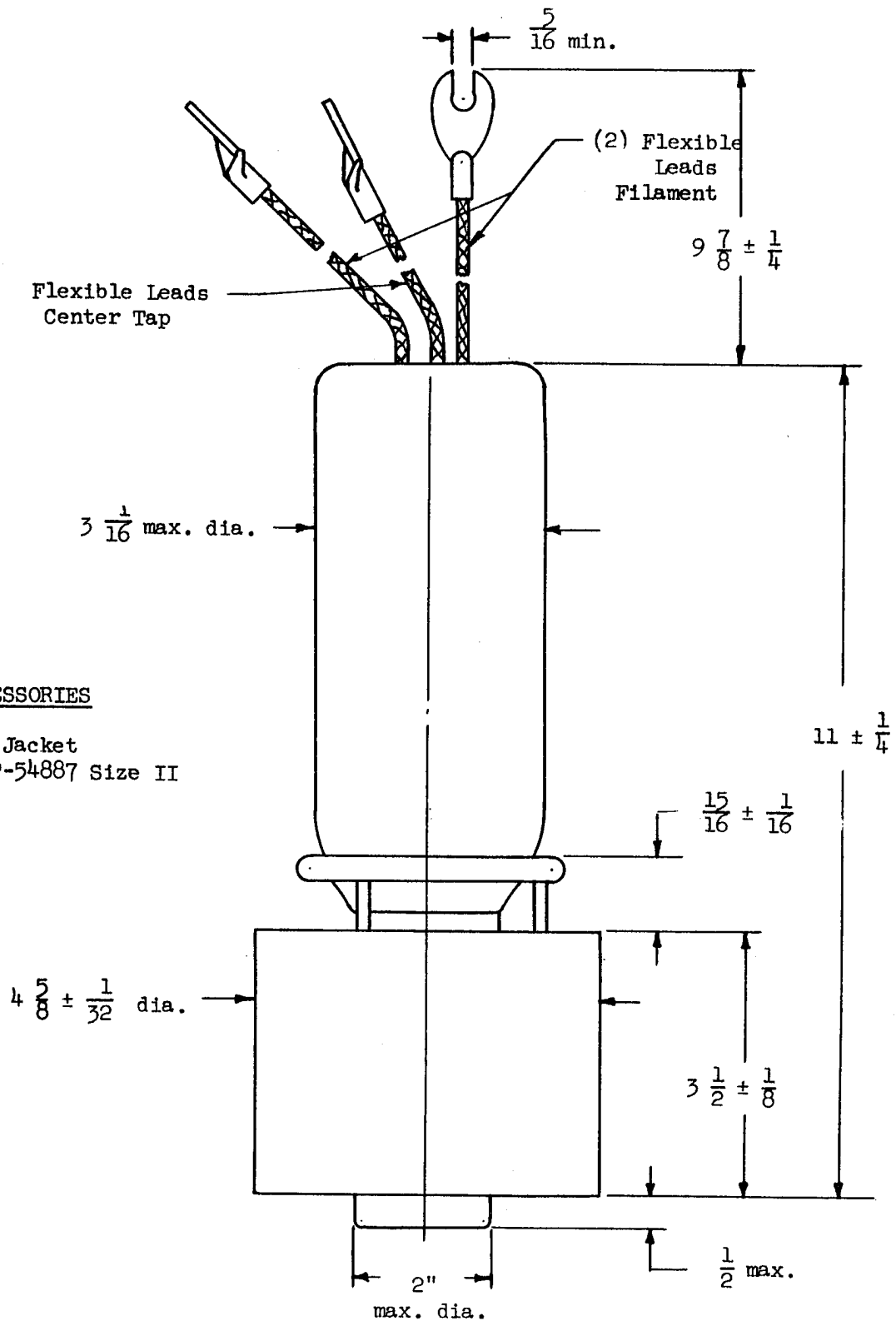
Mounting Position Vertical, Anode up or down
 Max. Glass & Seal Temperature 180 °C
 Type of Cooling Forced air
 Anode Air Flow Required
 Plate Dissipation 3.5 2.8 2.4 kilowatts
 Minimum Air Flow 190 125 75 cfm
 Pressure--inches of water 1.6 .78 .35
 Max. Incoming Air Temperature 45 °C
 Net Weight, approx. 7 lbs.

Additional information for specific applications can be obtained from the:

ITT Components Division
 Electron Tube Applications Section
 P.O. Box 412
 Clifton, New Jersey

* Formerly the D-1042.





OUTLINE
 F-7975 POWER DIODE

3-62

