

DESCRIPTION:

THE F-7C23 IS A THREE-ELECTRODE TUBE DESIGNED FOR USE IN HIGH VOLTAGE PULSE OPERATION. THE ANODE IS FORCED AIR-COOLED AND CAPABLE OF DISSIPATING 1,200 WATTS. THE CATHODE IS A THORIATED TUNGSTEN FILAMENT. MAXIMUM RATINGS APPLY UP TO 5 MEGACYCLES.

ELECTRICAL:

FILAMENT VOLTAGE	11.0	VOLTS
FILAMENT CURRENT	29.0	AMPERES
FILAMENT STARTING CURRENT	58	AMPERES
AMPLIFICATION FACTOR, AT $E_c = -50 \text{ V}; I_B = 0.2 \text{ AMP.}$	25	
INTERELECTRODE CAPACITANCES		
GRID-PLATE	12.0	UUF
GRID-FILAMENT	12.5	UUF
PLATE-FILAMENT	1.7	UUF

MECHANICAL:

MOUNTING POSITION	VERTICAL, ANODE DOWN
TYPE OF COOLING - FORCED AIR	
MAX. INCOMING AIR TEMPERATURE	45° C
REQUIRED AIR FLOW ON ANODE	
CUBIC FEET PER MINUTE	75
MAXIMUM GLASS TEMPERATURE	150° C
NET WEIGHT, APPROXIMATE	5-1/4 POUNDS

MAXIMUM RATINGS AND TYPICAL OPERATING CONDITIONS

RADIO-FREQUENCY POWER AMPLIFIER AND OSCILLATOR - PULSED OPERATION

MAXIMUM RATINGS, ABSOLUTE VALUES:

DC PLATE VOLTAGE	17,500	VOLTS
DC GRID VOLTAGE	-2,000	VOLTS
DC PLATE CURRENT	0.100	AMPERE
DC GRID CURRENT	0.010	AMPERE
PLATE DISSIPATION	1,200	WATTS
MAX. PULSE WIDTH	90	U SECONDS
MAX. DUTY	0.005	

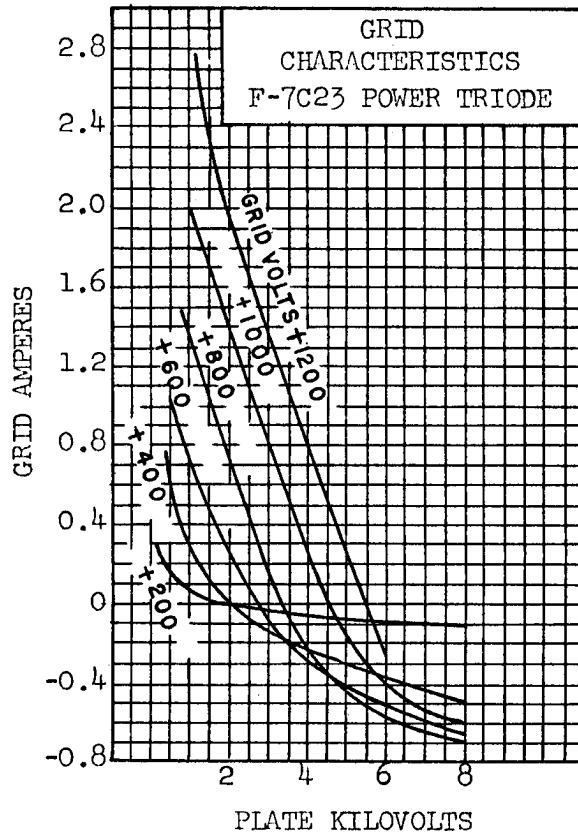
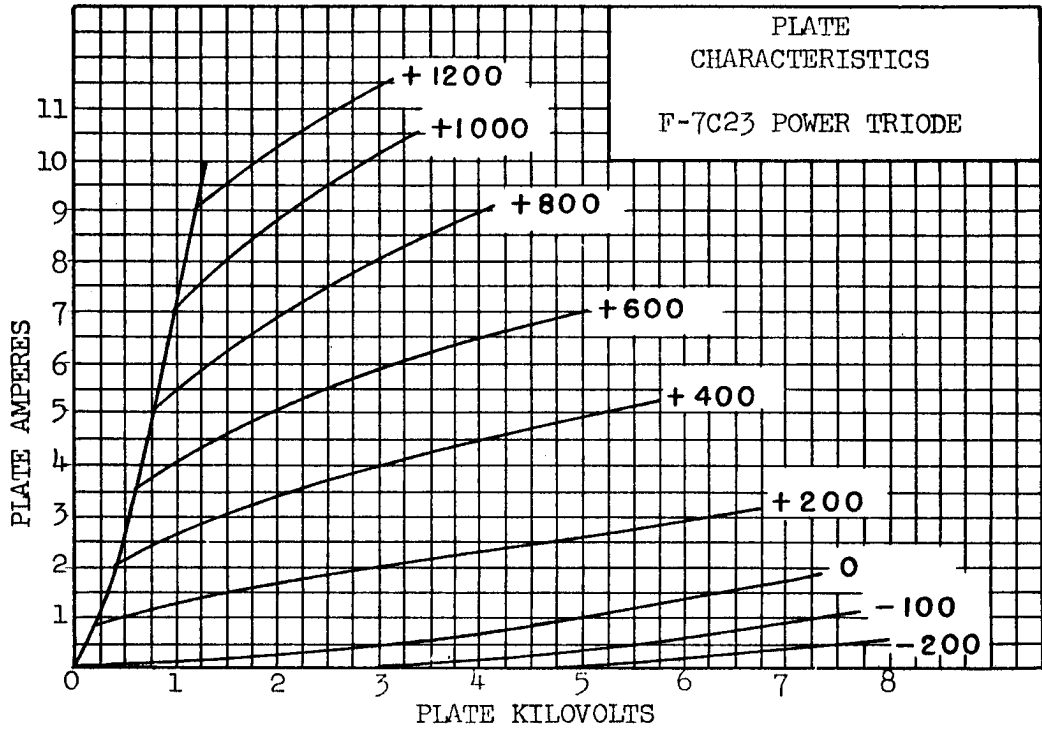
TYPICAL OPERATION:

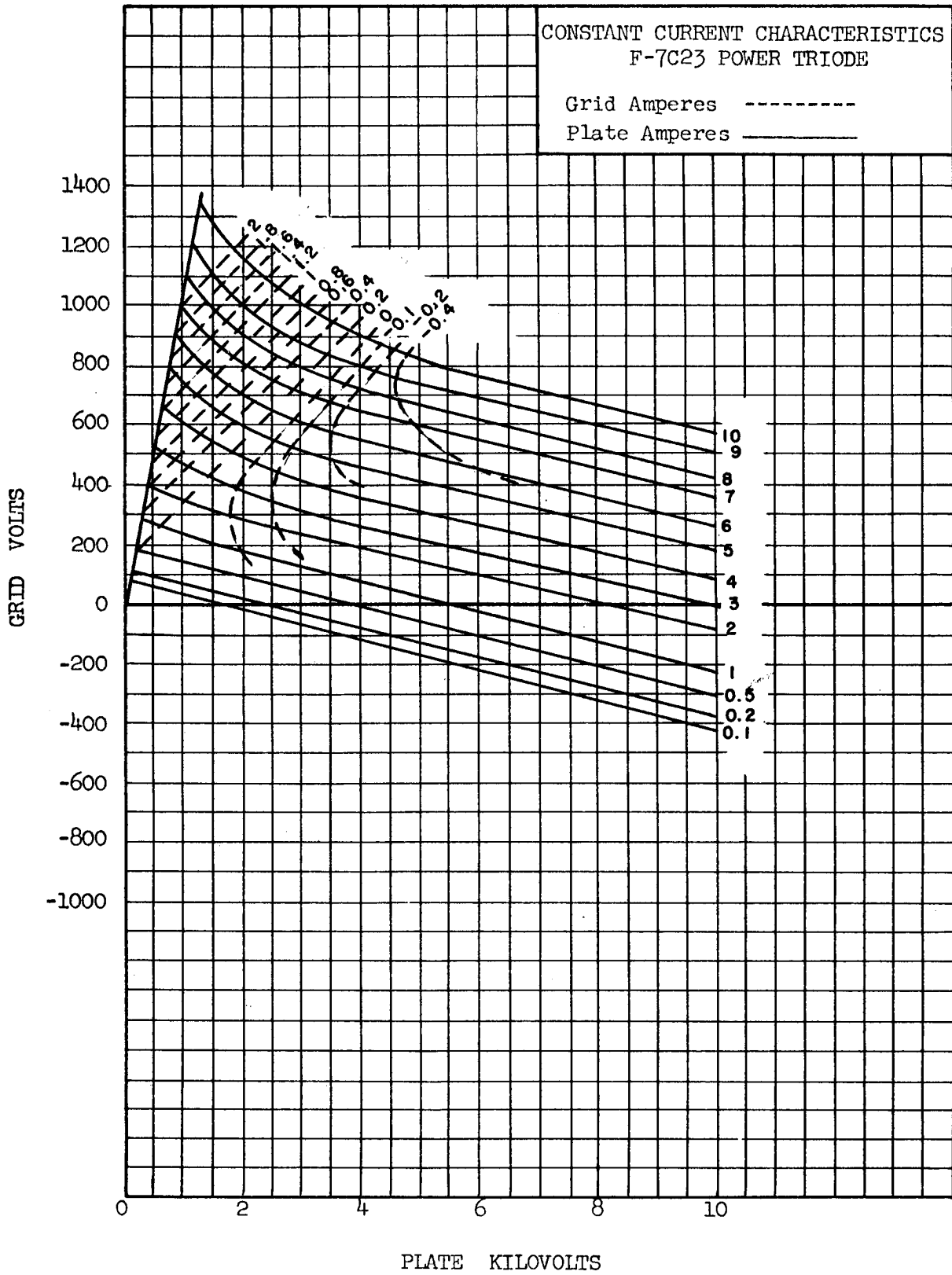
(UNLESS OTHERWISE SPECIFIED, VALUES ARE FOR TWO TUBES)

DC PLATE VOLTAGE	15,000	VOLTS
DC PLATE CURRENT	.16	AMPERES
DC GRID CURRENT	1.25	MA
AVERAGE POWER OUTPUT	120	WATTS
PEAK POWER OUTPUT	120	KILOWATTS

ADDITIONAL INFORMATION FOR SPECIFIC APPLICATIONS CAN BE OBTAINED FROM THE

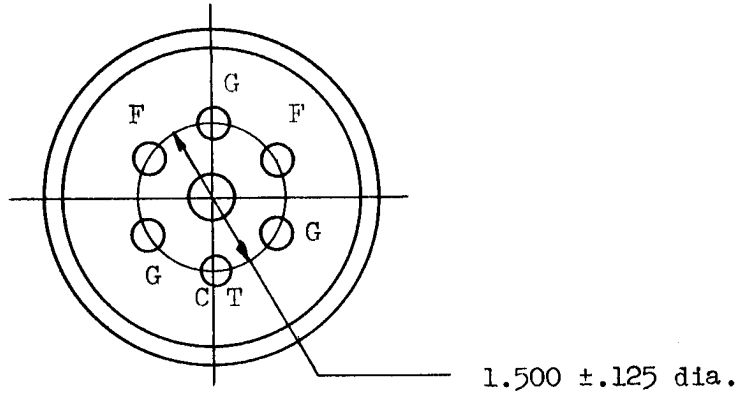
ELECTRON TUBE APPLICATIONS SECTION
ITT COMPONENTS DIVISION
POST OFFICE BOX 412
CLIFTON, NEW JERSEY



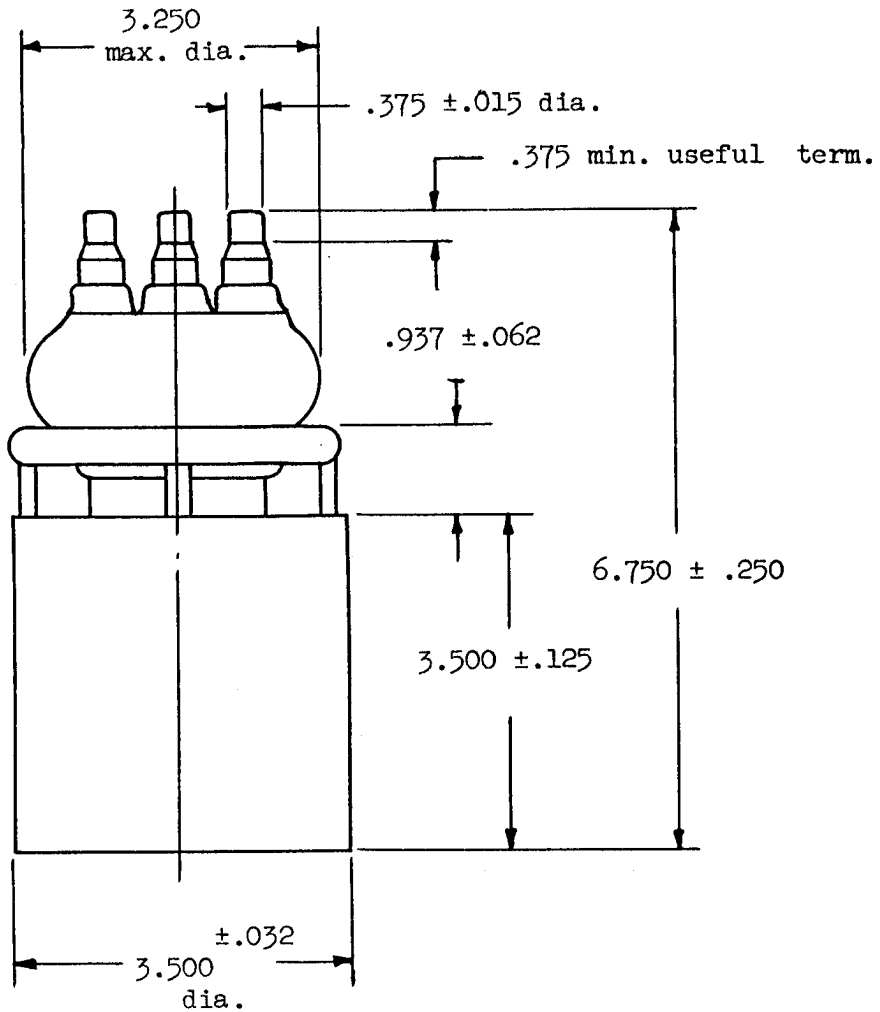


Color Code

- Fil. Term. - Yellow
- Fil. Center Term. - Red
- Grid Term. - Black



Tubulation tip off $\frac{1}{8}$ below top of terminals.



OUTLINE
F-7C23 POWER TRIODE

