



**RADIO MANUFACTURERS ASSOCIATION
ENGINEERING DEPARTMENT**

Release No. 410

May 25, 1945

sponsor:
General Electric Co.

TYPE 4B35 *

Gas Filled Rectifier

General Characteristics

Electrical

Filament: Thoriated Tungsten

Voltage	2.0 + 5% V.a-c
Current	13.5 amps (approx.)

Pick-up Voltage

Average	12.0 volts d-c
Range	9.5 to 15.0

Arc Voltage

Average	7.5 volts d-c
Range	5.0 to 9.5 volts d-c

Mechanical

Type of Cooling	Convection
Base	Skirted Medium Screw

Maximum Overall Dimensions

Length	4 3/16"
Diameter	2 3/16"

Maximum Ratings

Maximum Output

Voltage	75 V. d-c
---------	-----------

Current

Average	2.0 amperes
Peak	12.0 amperes

Maximum Peak Inverse Voltage
(half-wave circuit)

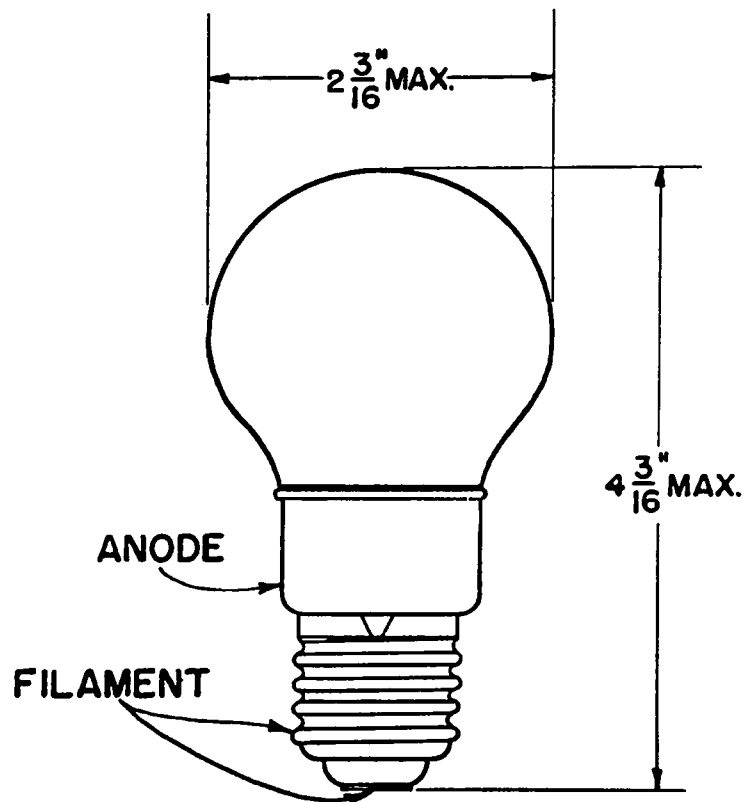
275

*12X825

Release No. 410

May 25, 1945

RMA
TYPE 4B35



BASE FOR RMA TYPE 4B35

