

JETEC TYPE DESIGNATION REGISTRATION FORM

ATR TUBE

Manufacturer's Designation: BL-43
JETEC Designation: 6304
Manufacturer: Bomac Laboratories, Inc.
Beverly, Massachusetts

April 24, 1957

GENERAL CHARACTERISTICS

The 6304 is a broad-band ATR tube designed to effectively decouple the transmitter from a common transmitting and receiving antenna during a non-transmitting period designed to operate over a frequency range 9000 to 9600 megacycles.

ELECTRICAL DATA - TYPICAL VALUES

Center Frequency	9300 Mc/sec.
Loaded Q (max.)	6.5
Transmitter Peak Power (max.)	250 kw
Transmitter Peak Power (min.)	5 kw
Equivalent Conductance (max.)	0.1
Tuning Susceptance (max.)	±0.06
Arc Power Loss (max.)	0.8 db
F=9300 Mc, po=4.0 kw, tp=0.5 μs; prr=1000 pps.	
Recovery Time (max.)	8 μsec
F=9300 Mc; po=50 kw; tp=1.0 μs; prr=1000 pps	

MECHANICAL DATA - GENERAL

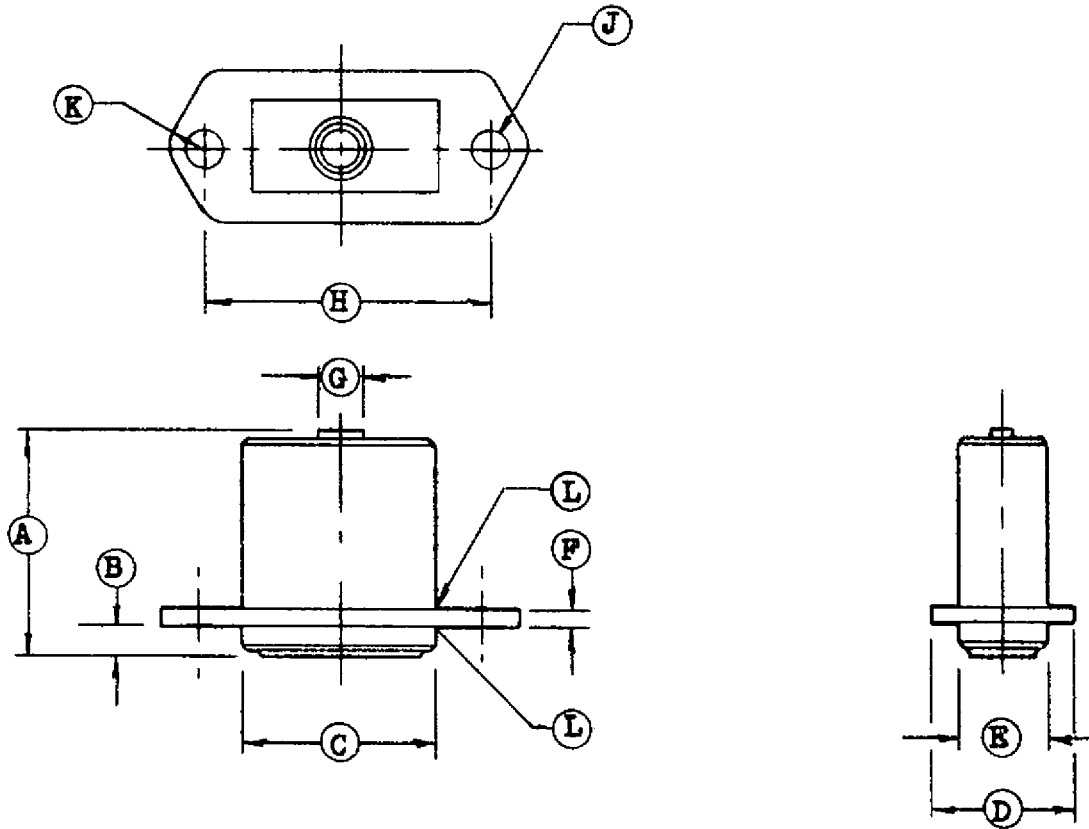
Mounting Position	Any
Weight, approximately	1.0 ozs.

ABSOLUTE MAXIMUM RATINGS

Transmitter Peak Power	250 kw
Transmitter Average Power	250 W

OUTLINE DRAWINGS

Outline per attached drawing date 12-8-54
Tube Mount per attached drawing date 12-2-54



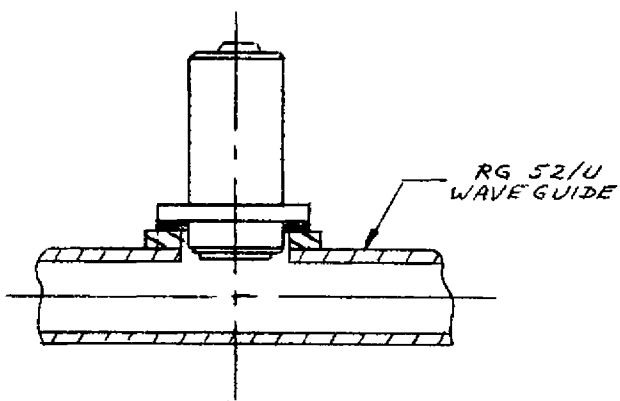
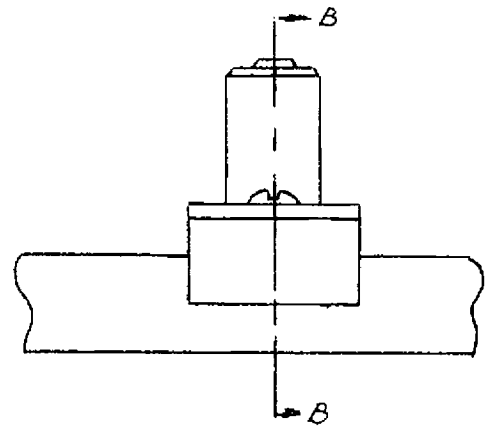
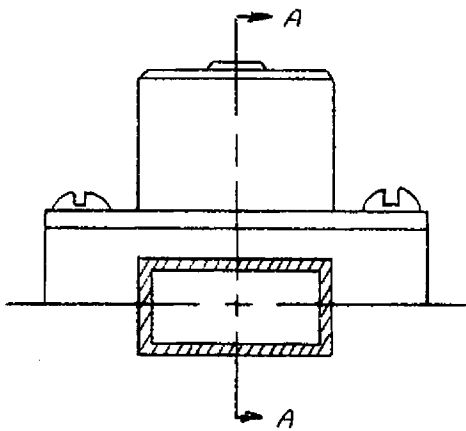
Ref.	Dimension
A*	1.200 Max.
B	0.145
C	1.000
D*	0.781
E	0.500
F**	0.093
G**	1/4 Max.
H*	1.500±.003
J	#18(.1695) Dr. 2 Holes
K**	3/16 Rad.
L**	0.030 Rad. Max.

SPECIFICATION SHEET

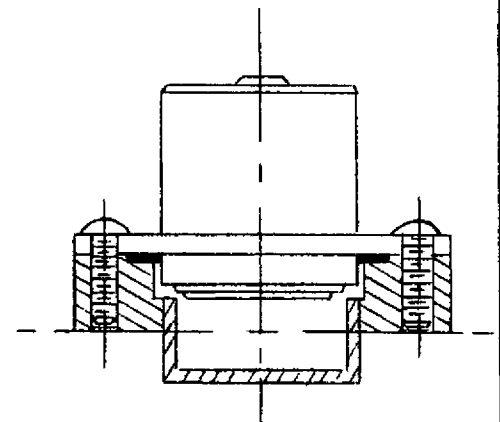
Outline 6304/BL-43
6629/BL-54, 6630/BL-55,

BOMAC LABORATORIES INC.
SALEM ROAD
BEVERLY, MASSACHUSETTS

12- 8-54 clr



SECTION A-A OF SEAT
SHOWING TUBE IN POSITION



SECTION B-B OF SEAT
SHOWING TUBE IN POSITION

NOTES:—

1. DESIGN OF HOLDER OPTIONAL
2. TUBE HELD FIRMLY IN PLACE BY SCREW CLAMP
3. BOTTOM OF TUBE IS TO BE APPROX. FLUSH (± 0.004) WITH INSIDE SURFACE OF WAVEGUIDE.

GS-2E-1.10.30.06	SPECIFICATION SHEET	BOMAC LABORATORIES INC. SALEM ROAD BEVERLY, MASSACHUSETTS
	TUBE MOUNTING	12-2-54 \otimes
6309/BL-43		