

JETEC TYPE DESIGNATION REGISTRATION FORM

ATR TUBE

Manufacturer's Designation: BL-61  
JETEC Designation: 6455  
Manufacturer: Bomac Laboratories, Inc.  
Beverly, Massachusetts

May 7, 1957

GENERAL CHARACTERISTICS

The 6455 is a broad-band ATR tube designed to effectively decouple the transmitter from a common transmitting and receiving antenna during a non-transmitting period designed to operate over a frequency range 5340 to 5940 megacycles.

ELECTRICAL DATA-TYPICAL VALUES

Center Frequency	5640 Mc/sec
Loaded Q (max.)	7.0
Transmitter Peak Power (max.)	300 kw
Transmitter Peak Power (min.)	20 kw
Equivalent Conductance (max.)	0.1
Tuning Susceptance (max.)	±0.06
Arc Power Loss (max.)	0.8 db
F=5640 Mc; po=20 kw; tp=1.0usec; prr=1000 pps	
Recovery Time (max.)	25 μs
F=5640, po=70 kw; tp=1.0 usec; prr=1000pps	

MECHANICAL DATA-GENERAL

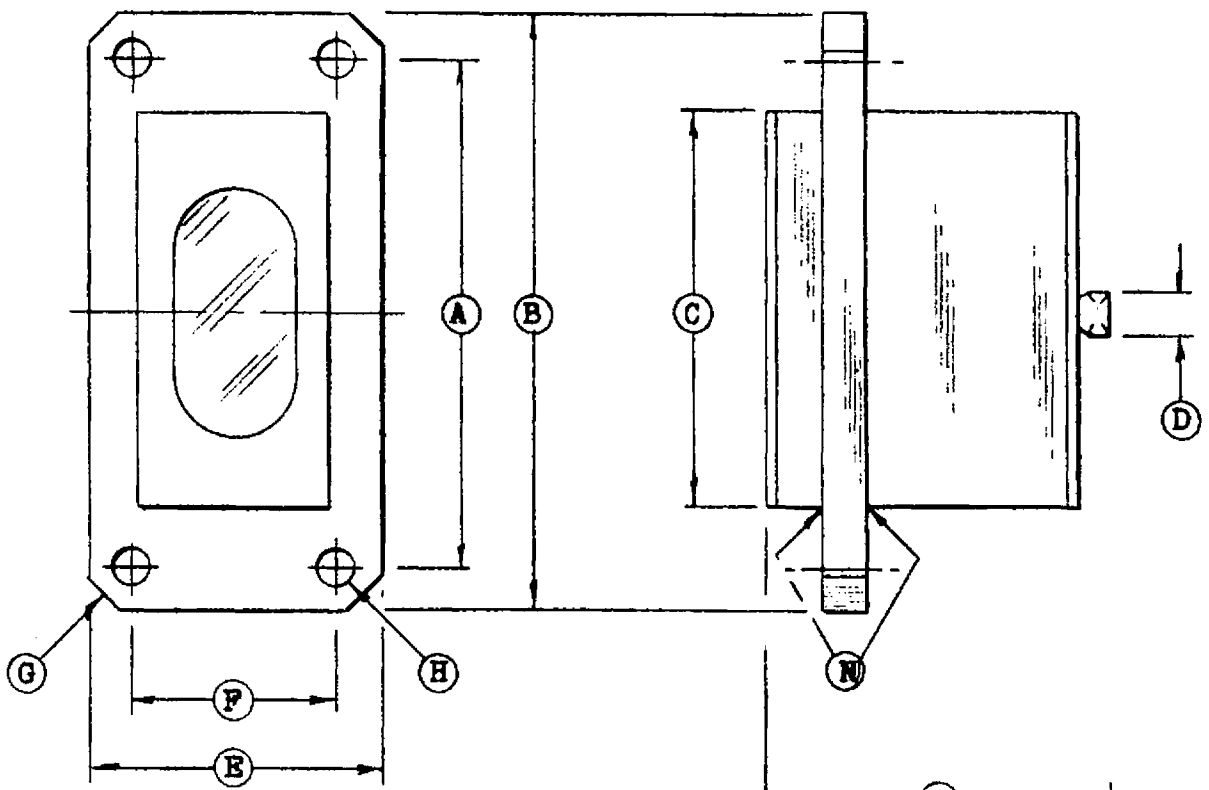
Mounting Position	Any
Weight, approximately	6 ozs

ABSOLUTE MAXIMUM RATINGS

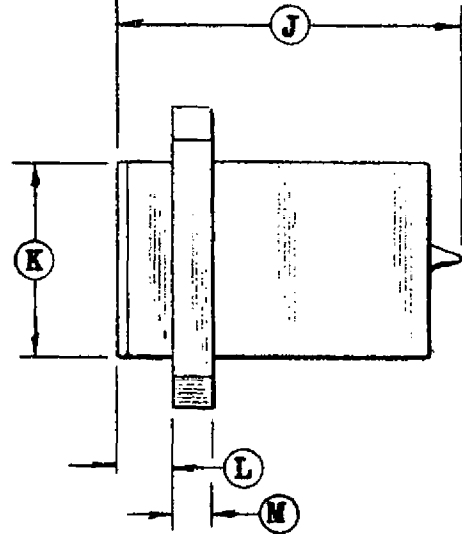
Transmitter Peak Power	300 kw
Transmitter Average Power	300 W

OUTLINE DRAWINGS

Outline per attached drawing dated 3-22-55  
Tube Mount per attached drawing dated 6-15-56



Ref.	Dimensions
A*	2.624 ±.006
B*	3.000 ±.015
C	2.000 ±.010
D	0.218 Max.
E*	1.500 ±.015
F*	1.000 ±.006
G**	0.125 x 45°
H	*5(.2055) Dr. 4 Holes
J*	1.750 Max.
K*	1.000 ±.010
L**	0.218
M	0.187
N	0.030 Rad. Max.



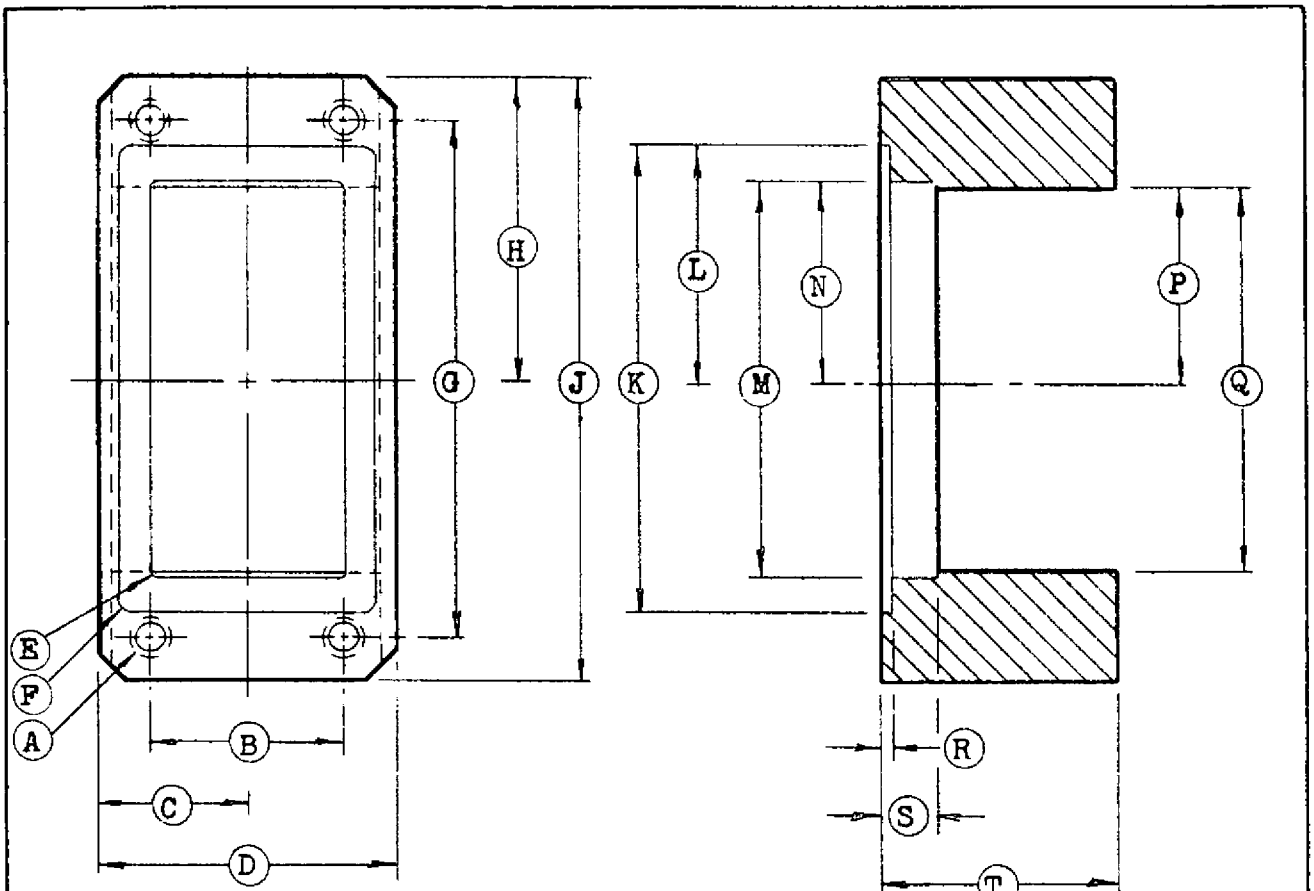
## SPECIFICATION SHEET

Outline

6455/BL-61

BOMAC LABORATORIES INC.  
SALEM ROAD  
BEVERLY, MASSACHUSETTS

3-22-55 *olr*



Ref	Dimensions
A	#10-32NC(4) Holes, 1/2 Dp.
B	1.000±.006
C	0.750
D	1.500
E	1/32 Max. R.
F	1/16 Max. R.
G	2.624±.006
H	1.500
J	3.000
K	2.375
L	1.187
M	2.030
N	1.015
P	1.002
Q	2.003+.004-.000
R	0.023±.002
S	0.233
T	1.154
U	0.218±.002
V	0.687
W	1.375+.000-.002
X	0.515
Y	1.030
Z	0.687
A <sub>1</sub>	1.375
E <sub>1</sub>	0.154±.001

## SPECIFICATION SHEET

Mounting Seat

6455/BL-61

BOMAC LABORATORIES INC.  
SALEM ROAD  
BEVERLY, MASSACHUSETTS

GS-2E-1,10.30.04

6-15-56      clr