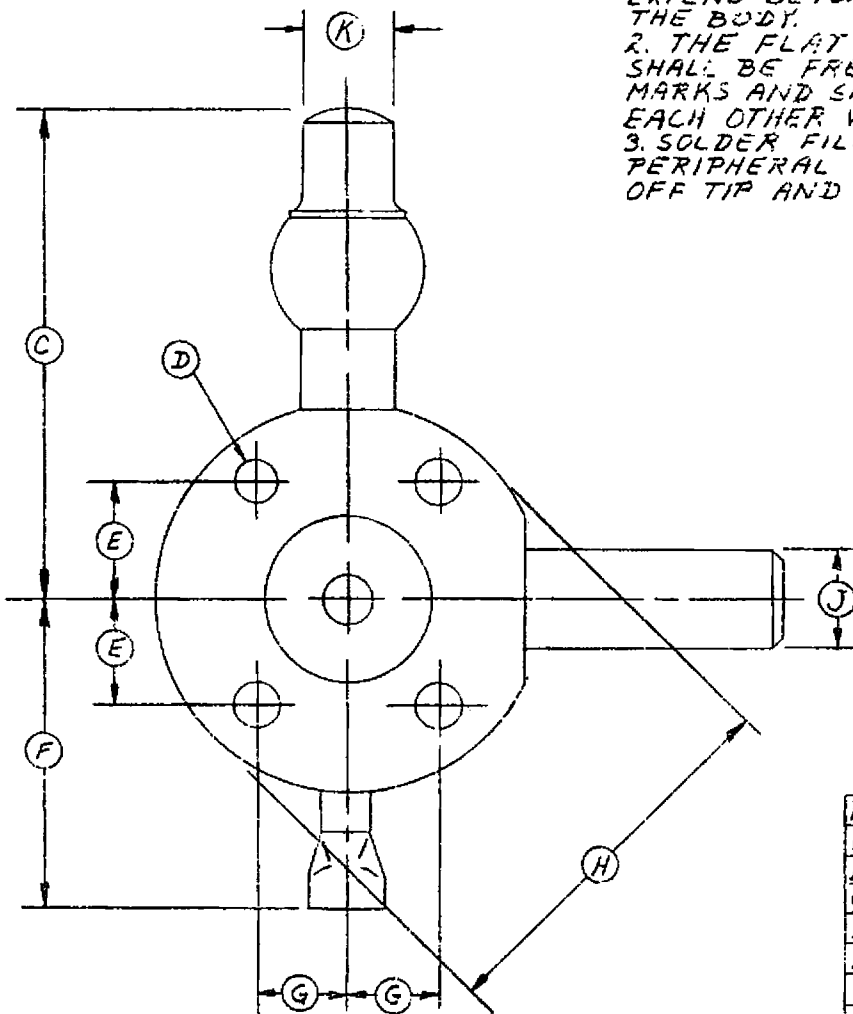


NOTES

1. NO PART OF THE IRIS ASSEM. SHALL EXTEND BEYOND THE SURFACE OF THE BODY.
2. THE FLAT SURFACES OF THE BODY SHALL BE FREE OF EXCESSIVE TOOL MARKS AND SHALL BE PARALLEL TO EACH OTHER WITHIN .001.
3. SOLDER FILLETS PERMISSIBLE ON PERIPHERAL SURFACE NEAR SEAL OFF TIP AND ELECTRODE TERMINAL.



REF	DIMENSIONS
A**	.365 MAX. .359 MIN.
B	1/8 MAX.
C*	1.281 MAX.
D	.120 D*.002 (4) HOLES
E*	.287*.002
F	13/16 MAX.
G*	.241*.002
H	1.004
J**	.310 D.
K*	.250 D.

SPECIFICATION SHEET

OUTLINE

6650/BL-67

BOMAC LABORATORIES INC.
SALEM ROAD
BEVERLY, MASSACHUSETTS

3-23-55 *9*