



## MECHANICAL DATA - GENERAL

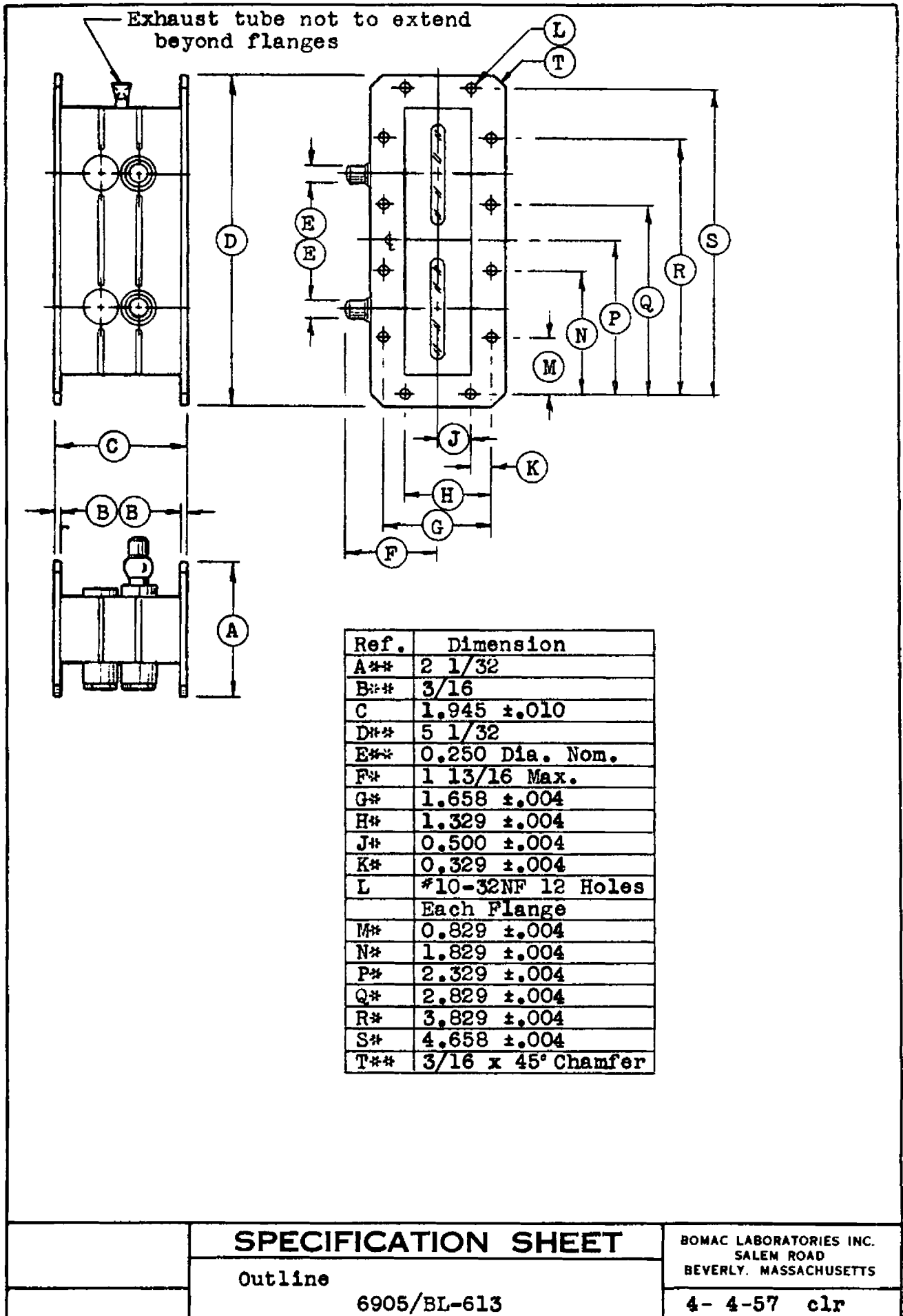
Mounting Position	Any
Number of Electrode	Two
Weight, approximately	1.25 lbs.

## ABSOLUTE MAXIMUM RATINGS

Transmitter Peak Power	3000 kw
Transmitter Average Power	2000 W
Ignitor current (each electrode)	200 $\mu$ Adc

## OUTLINE DRAWING

Outline as per attached drawing dated 4-4-57  
Mating Flange as per attached drawing dated 2-1-55



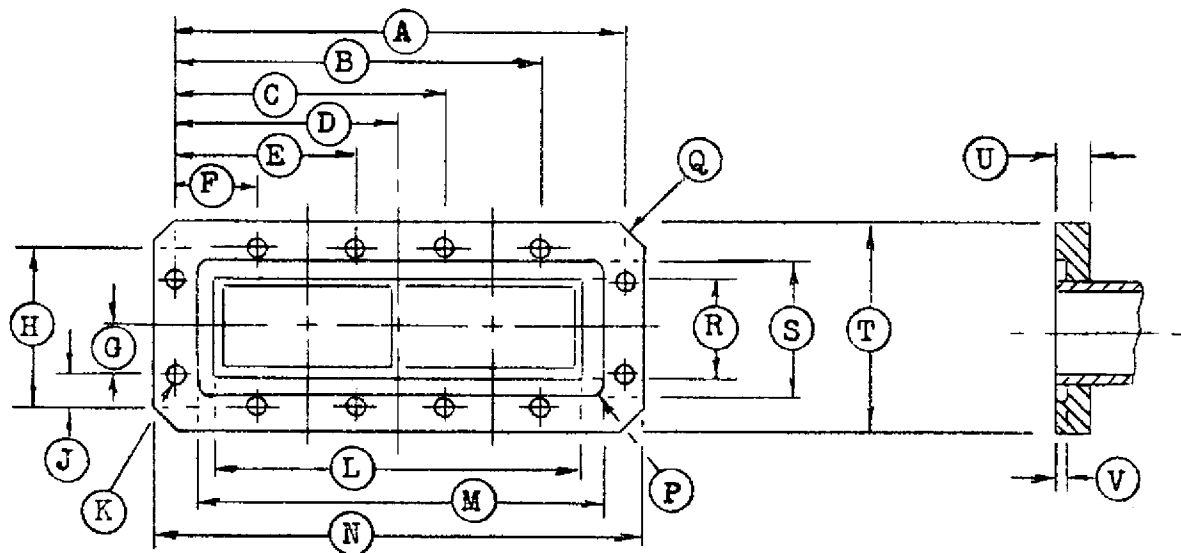
## SPECIFICATION SHEET

Outline

6905/BL-613

BOMAC LABORATORIES INC.  
SALEM ROAD  
BEVERLY, MASSACHUSETTS

4- 4-57 clr



Ref.	Dimension	Ref.	Dimension
A	4.658 ±.002	L	4.000 ±.005
B	3.829 ±.002	M	4.375 ±.005
C	2.829 ±.002	N	5 1/32
D	2.329 ±.003	P	3/32 Rad.
E	1.829 ±.002	Q	3/16 x 45 Chamfer
F	0.829 ±.002	R	1.000 ±.005
G	0.500 ±.003	S	1.375 ±.005
H	1.658 ±.002	T	2 1/32
J	0.329 ±.003	U	0.350 Min.
K	13/64 (.203) Dr.	V	0.110 ±.002
	12 Holes		

Note:- Outline used for following tubes

6640/BL-60, 6641/BL-86, BL-336

BL-352, 6905/BL-613, BL-644

GS-2E-1.10.20.01

<b>SPECIFICATION SHEET</b>		BOMAC LABORATORIES INC. SALEM ROAD BEVERLY, MASSACHUSETTS
Mating Flange See Note		
		2-1-55 clr