



# Roger White

# 10-H2

SYSTEM NOISE SOURCE TYPE GNW-S18A  
MODEL 2729  
RETMA 7154

The Roger White type GNW-S18A, Model 2729, is a miniaturized system noise source specifically designed for pulsed operation in conjunction with automatic noise measuring equipments. It is equally suitable for CW operation.

## PERFORMANCE CHARACTERISTICS

Frequency Range - megacycles	2700 - 2900
Excess Noise Ratio - db	18.5 ± 0.2
Application	Single Ended
Expected Life - hours	5000

## ELECTRICAL SPECIFICATIONS

Filament Voltage - volts ac-dc	6.3 ± 5%
Filament Current - amperes ac - dc	1.25
Firing Voltage - volts	600 maximum
Operating Anode Voltage - volts positive	27 ± 4
Operating Current - dc milliamperes	75 ± 5 ma
VSWR (Fired)	1.8 max.

## ENVIRONMENTAL SPECIFICATIONS

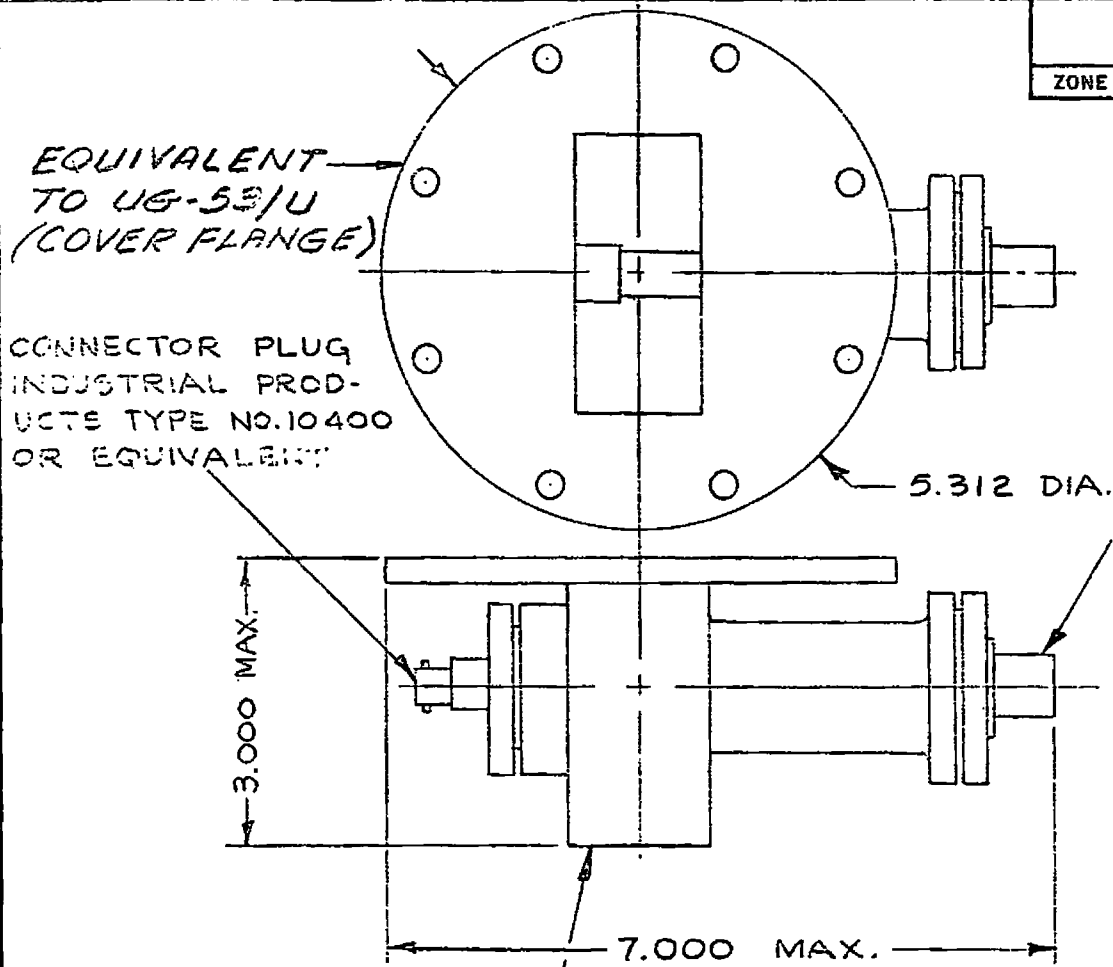
Vibration	MIL-T-4807 Method 1A
Drop	MIL-T-4807 Method 3A
Environmental	MIL-T-5272A Procedure 1
Temperature	MIL-E-4158A, -54 to + 60°C non-operating -29 to + 60°C operating
Pressure	Test 45 PSI Operate at 30 PSI

## MECHANICAL OUTLINE

See Reverse

DRAWING SIZE <b>A</b>		PART NO. <b>100074</b>		REVISION
ZONE	SYMBOL	DESCRIPTION	DATE	APPROVED

THIS DWG. SUPERSEDES ITEM 1 OF RW-2713-1



EQUIVALENT  
TO UG-53/U  
(COVER FLANGE)

CONNECTOR PLUG  
INDUSTRIAL PROD-  
UCTS TYPE NO. 10400  
OR EQUIVALENT

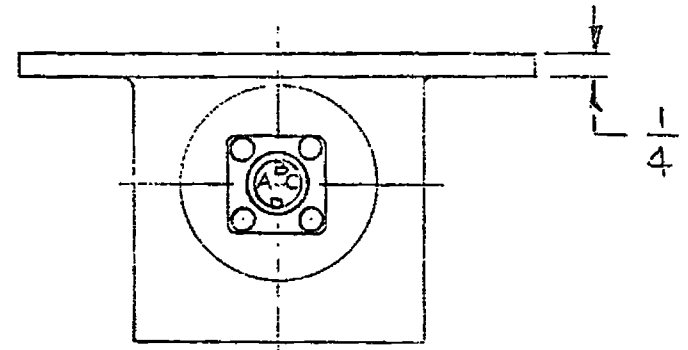
5.312 DIA.

3.000 MAX.

7.000 MAX.

EQUIVALENT  
RG-48/U  
(WAVEGUIDE)

CONNECTOR  
AMPHENOL ELECTRIC CORP.  
TYPE NO. AN 3102C-10 5L-3P  
OR EQUIVALENT



CONNECTIONS

- PIN A HEATER
- B - GROUND
- C HEATER - CATHODE - SHIELD

REQD.	PART NO.	DESCRIPTION	MAT'L	MAT'L SPEC.	WT.	NEXT ASSY.	USED ON	NEXT ASSY.	FINAL ASSY.
LIST OF MATERIAL						APPLICATION		QUANTITY REQD.	
UNLESS OTHERWISE SPECIFIED DIMENSIONS ARE IN INCHES. TOLERANCES ON FRACTIONS. DECIMALS. ANGLES. ± 1/64      ± .005      ± 0° 30'			DRAFTSMAN HJD	DATE 5-16-57	NAME	ROGER WHITE ELECTRON DEVICES, INC. FOURTH AVE. HASKELL, NEW JERSEY			
			CHECKER						
MATERIAL			ENGINEER	5-27-57					
TREATMENT			EXAMINED						
FINISH			APPROVED						
SYSTEM NOISE SOURCE TYPE NO. GNW-S18A MODEL 2729					SCALE 1:2	WT.	DWG. SIZE A	PART NO. 100074	REVISION