

## THYRATRON TYPE WL-7297

The WL-7297 is a three-electrode, inert-gas-filled, grid-controlled thyatron with negative control characteristics. Cooling is by unrestricted air convection and characteristics remain essentially unchanged on a wide range of ambient temperatures. The WL-7297 is designed for operation in industrial control and ignitor firing service. The WL-7297 is electrically similar to the WL-5877 and the WL-7031.

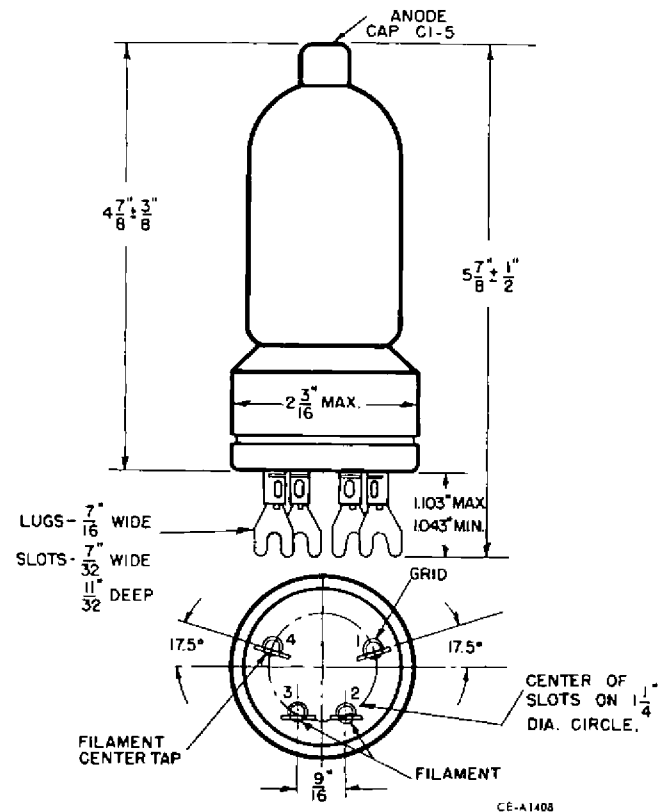
### GENERAL DATA

#### ELECTRICAL:

Cathode.....	Directly Heated Coated Filament			
Filament:	Min.	Bogey	Min.	
Voltage.....	2.37	2.50	2.63	Volts
Current at Filament Volts=2.5 ..	9.8	10.8	11.8	Amperes
Heating Time.....	30	--	--	Seconds
Deionization Time.....	See CE-A1347			
Ionization Time.....	10			usec
Critical Anode Voltage at Grid:				
Voltage of +6 Volts.....	--	--	100	Volts
Critical Grid Voltage at Anode:				
Voltage of 1500 Volts-See CE-A1348-4.0	-9.5	-15.0		Volts
Interelectrode Capacitances (Approx.):				
Anode to Grid.....	0.51			uuf
Grid to Filament.....	15.6			uuf
Anode to Filament.....	3.4			uuf
Typical Arc Drop.....	16			Volts
Control Characteristic.....				Negative

#### MECHANICAL:

Mounting Position.....	Any
Overall Height (Approx.).....	5-7/8"
Overall Diameter (Maximum).....	2-3/16"
Type of Cooling.....	Air, Unrestricted Convection
Temperature Range.....	-55 to +70° C
Bulb.....	T-13
Anode Cap.....	JETEC C1-5
Base.....	Lug Size and Location per JETEC A4-90
Net Weight (Approx.).....	5 oz.
Shipping Weight (Approx.).....	2 lb.



## MAXIMUM RATINGS

### ABSOLUTE MAXIMUM VALUES:

<b>Peak Anode Voltage:</b>			
Forward.....	1500	max.	Volts
Inverse.....	1500	max.	Volts
<b>Anode Current:</b>			
Peak.....	40	max.	Amperes
Average (Averaging Time 15 Seconds)	3.2	max.	Amperes
<b>Surge ■ (Duration 0.10 Second, Max.)</b>			
Connection A.....	560	max.	Amperes
Connection B.....	280	max.	Amperes
Connection C.....	280	max.	Amperes
Commutation Factor †.....	200	max.	va/usec
Current Rate of Change.....	0.25	max.	a/usec
Voltage Rate of Change.....	800	max.	v/usec
<b>Negative Control Grid Voltage:</b>			
Before Conduction.....	250	max.	Volts
During Conduction §.....	10	max.	Volts
<b>Average Positive Control Grid Current:</b>			
Averaging Time = 1 cycle †.....	0.20	max.	Ampere
Operating Frequency ⊕.....	60	max.	cps

## NOTES

General These ratings are important in the prevention of "clean-up" or loss of the inert gas filling. Their observance will reduce the bombardment of anode or grid by positive ions of the gas filling, which may cause the gas ions to be absorbed in the tube element concerned.

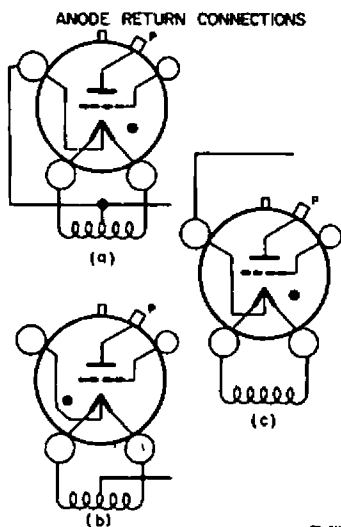
† Commutation factor is the product of the rate of current decay in amperes per microsecond just prior to the end of commutation and the rate of inverse voltage rise in volts per microsecond just after the end of commutation. Its value should not exceed the value given in order to reduce ion bombardment of the anode during the deionization period. Limits are given on both components of this factor to correspond to factory test data limits. The limit on current rate of change is about at the highest value which is allowable under the fault current limit.

§ When the tube conducts, positive ions are attracted to a grid at negative potential. This positive ion current flowing through the grid resistor will reduce the negative voltage at the grid from the higher negative grid supply voltage. To reduce ion grid bombardment, sufficient resistance must be provided to drop the negative grid supply voltage to a value not more negative than -10 volts as shown in the ratings.

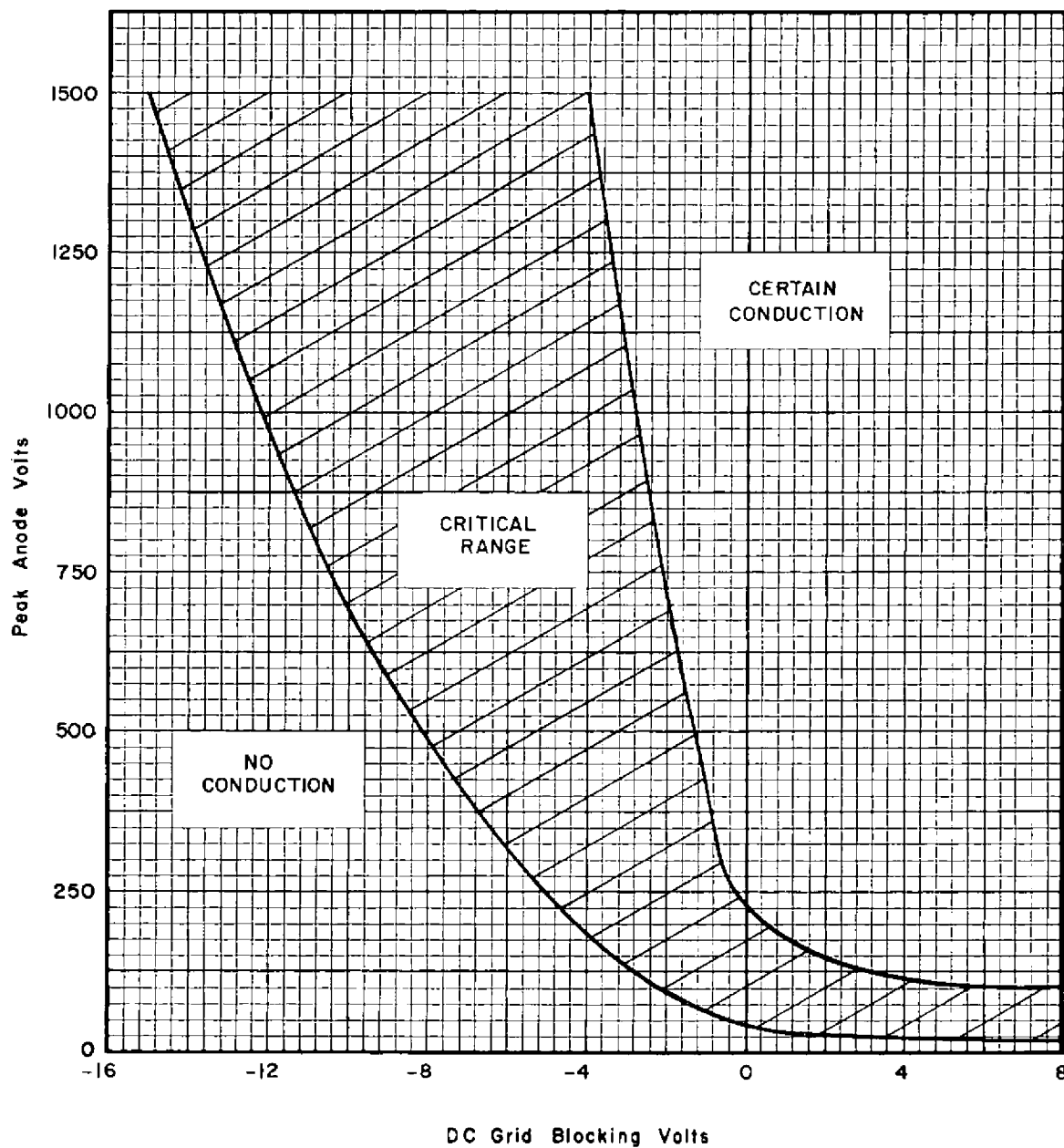
† This rating indicates the heat emission properties of the grid. This value of current may be safely drawn to the grid if conduction occurs only while the anode is positive. However, during the period of negative anode potential, the grid potential must also be negative to prevent electrons being drawn to the grid and generating positive ions which would bombard the anode.

⊕ For higher frequency ratings, consult the tube manufacturer.

■ These ratings are effective when the anode return connections are made as shown in CE-A1103.



CRITICAL GRID VOLTAGE



CE-A1348

TYPICAL RECOVERY TIME

