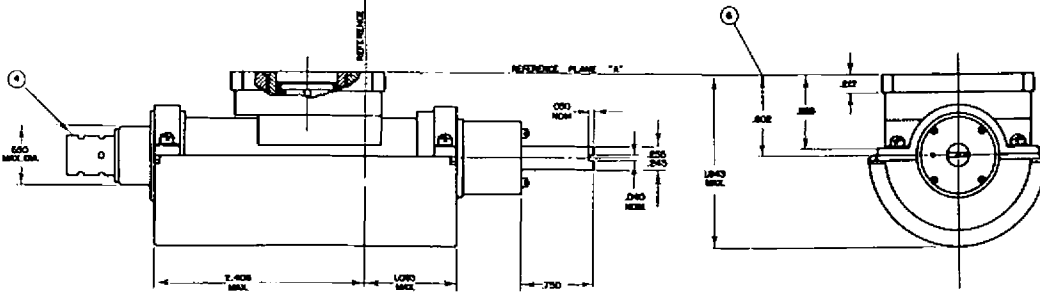
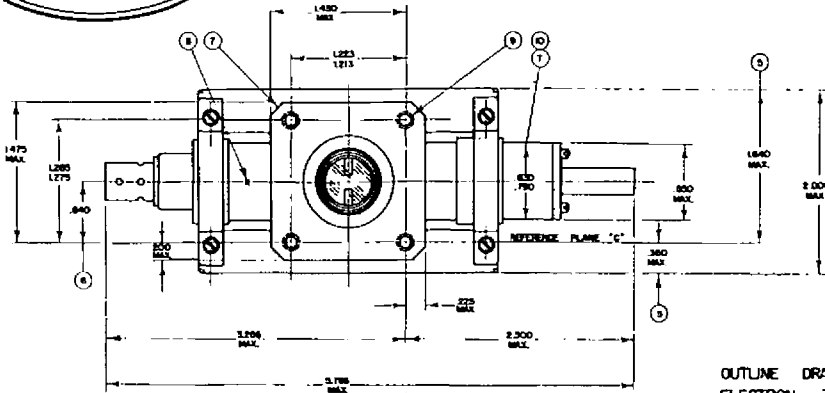
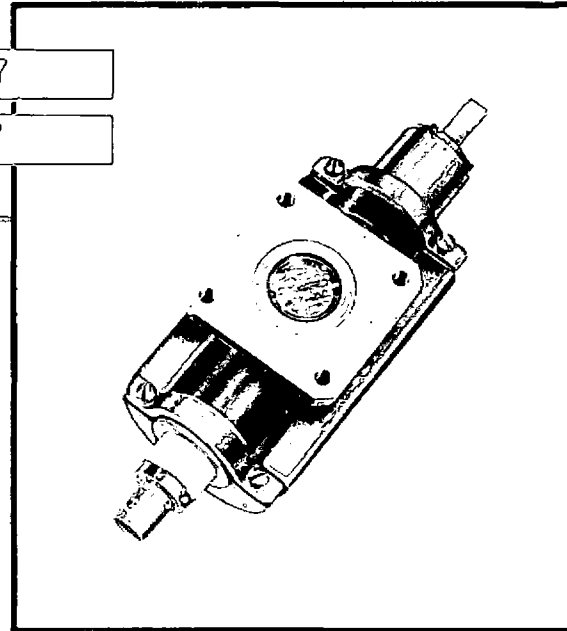


The technical information on this data sheet is of a proprietary nature and is furnished as a customer service for private use only.

RK7521 **PRELIMINARY**
DATA SHEET



Excellence in Electronics



- NOTES
1. REFERENCE PLANE "A" IS DEFINED AS A PLANE PARALLEL TO THE FACE OF THE MOUNTING FLANGE.
 2. REFERENCE PLANE "B" IS DEFINED AS A PLANE PERPENDICULAR TO PLANE "A" PASSING THROUGH THE CENTER OF HEAT AS SHOWN.
 3. REFERENCE PLANE "C" IS DEFINED AS A PLANE PERPENDICULAR TO PLANE "A" & "B" PASSING THROUGH CENTER OF THE HOLE AS SHOWN.
 4. AS-90 270 AJZ MIC PANEL JACK.
 5. INCLUDES ANGULAR AS WELL AS LATERAL DEVIATION.
 6. PARTS OR FINISH COEFFICIENTS MAY VARY FROM TRUE LOCATION BY 1/16" MAXIMUM.
 7. TO BE COUPLED TO A AN-90-6 6/16 STAINLESS STEEL FLANGE COUPLING.
 8. MEASURE ABOVE TEMPERATURE AT THIS POINT.
 9. PITCH DIAMETER TO ACCEPT 30-31 BE "00" GAUGE ONLY. BORE DIAMETER OF TUBULAR .116" MAXIMUM.
 10. APPLIES TO O.D. OF HOUSING EXCEPTS OF CAP.

GENERAL DESCRIPTION

The RK7521 is a small low power pulsed magnetron tunable over the range 8900 to 9400 megacycles. The RK7521 is designed primarily for small portable ground equipment or aircraft equipment.

MECHANICAL DATA

Magnet	Integral
Mounting Position	Any
Weight	Less than 1.5 Pounds
Cooling	None Required
Output Coupling	Mates with UG40A/U
Input Connections	BNC

TYPICAL ELECTRICAL DATA

Heater Voltage	5 Volts
Heater Current45 Amperes
Pulse Duration2 Microseconds
Duty Cycle001
Peak Anode Voltage	4.3 Kilovolts
Voltage Rise Time09 Microseconds
Peak Anode Current95 Amperes
Peak Power Output	950 Watts Minimum
RF Bandwidth	2.2 tpc
Life	300 Hours Minimum

The specifications for this tube have not been finalized. The tube is being manufactured in limited quantities and is available for engineering analysis purposes only. This engineering information and/or delivery of sample tubes do not imply availability of tubes with the same electrical and/or mechanical characteristics. Changes in ratings and/or dimensions may be made at our discretion as deemed advisable by manufacturing experience or other considerations. For current information concerning this tube contact the nearest Microwave and Power Tube Regional Sales Representative.