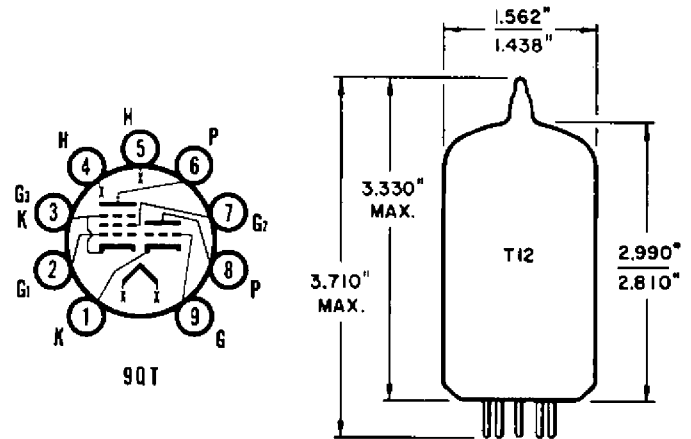




SYLVANIA

Vertical Deflection Oscillator and Amplifier  
31LR8

- COLOR TELEVISION TYPE
- BEAM POWER PENTODE AMPLIFIER
- HIGH MU TRIODE OSCILLATOR
- MULTISECTION
- T-12 ENVELOPE
- 9 PIN BASE (LARGE DIAMETER)



DESCRIPTION

The Sylvania Type 31LR8 is a high mu triode and beam power pentode contained in a T-12 bulb using a 9-pin base. The triode section is intended for service as a vertical oscillator and the pentode section is designed for vertical deflection amplifier service. Except for heater characteristics, the 31LR8 is identical to types 6LR8 and 21LR8 as registered in EIA release 4764 and 4764-B respectively.

ELECTRICAL DATA

HEATER CHARACTERISTICS AND RATINGS

Heater Circuit .....	Series (1)
Heater Voltage (AC or DC) .....	31.5 Volts
Heater Current(2).....	0.300 ± 0.02 Amperes
Heater Warm-up Time (3) .....	11 Seconds

NOTES:

- (1) Operated with the heater in series with the heaters of other tubes having the same bogey heater current.
- (2) For series heater operation, the equipment designer should design the equipment so that heater current is centered at the specified bogey value, with heater supply variations restricted to maintain heater current within the specified tolerance.
- (3) Heater warm-up time is defined as the time required for the voltage across the heater to reach 80% of the rated heater voltage after applying four (4) times rated heater voltage to a circuit consisting of the heater in series with a resistance equal to three (3) times the rated heater voltage by the bogey heater current.