



TOSHIBA ELECTRON TUBE

8528

BEAM-POWER PENTODE

The Toshiba 8528 is a heater-cathode type beam power pentode of micro metal miniature construction with metal shell and ceramic stem to adapt standard 8-pin subminiature socket.

It is designed for use as an audio power amplifier with low plate supply voltages, and is capable of approximately one watt output in the audio range. It is suitable for use in industrial and military airborne equipment which may be subjected to severe shock and vibration.

In on-off control applications, the tube will maintain its emission capabilities after long periods of operation under cutoff conditions.



GENERAL DATA

ELECTRICAL:

Cathode: Coated unipotential

Heater voltage	6.3	V
Heater current	0.45	A

Direct interelectrode capacitances:

No. 1 grid to plate	0.11	PF
Input	6.5	PF
Output	7.5	PF

MECHANICAL:

Operating position	Any
Maximum overall length	1.436"
Maximum seated length	1.221"
Maximum diameter	0.434"
Bulb	Metal shell
Base	E8-9 (ceramic)

MAXIMUM RATINGS; Absolute maximum values:

Plate voltage	165 max.	V
No. 2 grid voltage	155 max.	V
No. 1 grid voltage		
Positive bias value	0 max.	V
Negative bias value	55 max.	V



TOSHIBA ELECTRON TUBE

Cathode current	50 max.	mA
Plate dissipation	3.7 max.	W
No. 2 grid dissipation	0.4 max.	W
Heater-cathode voltage		
Heater negative	200 max.	V
Heater positive	200 max.	V
No. 1 grid circuit resistance	0.55 max.	MΩ
Bulb temperature at hottest point on bulb		
surface	220 max.	°C
Altitude	60000 max.	Feet

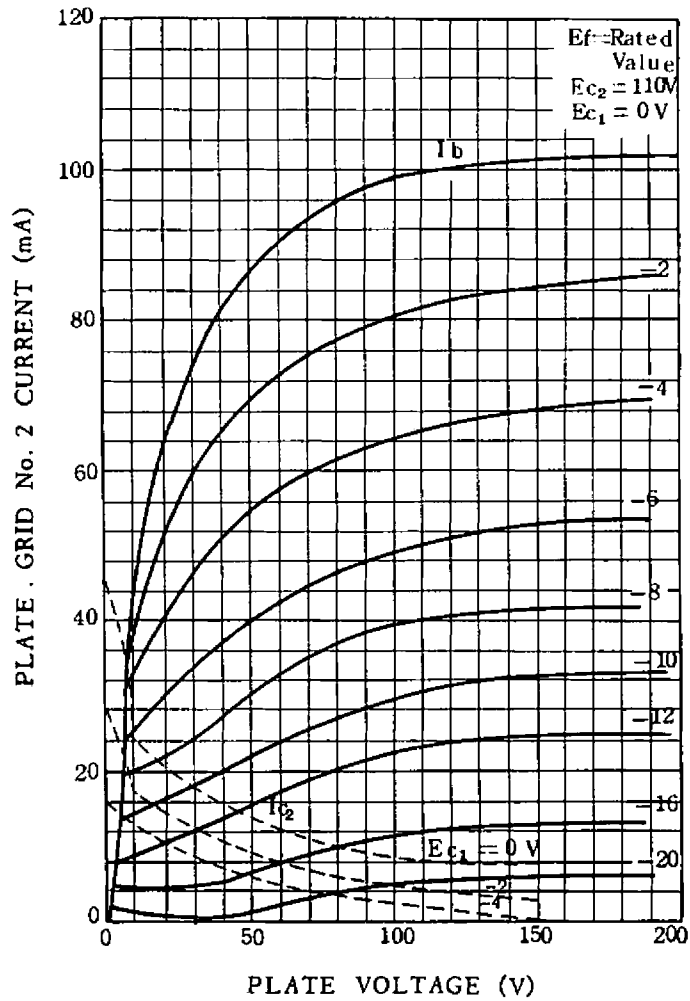
TYPICAL OPERATION AND CHARACTERISTICS:

Plate voltage	110	V
No. 2 grid voltage	110	V
No. 1 grid voltage	0	V
Cathode resistor	270	Ω
Plate resistance (Approx.)	15	KΩ
Transconductance	4200	μU
Plate current	30	mA
No. 2 grid current	2.2	mA
Peak AF No. 1 grid voltage	6.4	V r. m. s
Load resistance	3	KΩ
Power output	1	W

Toshiba

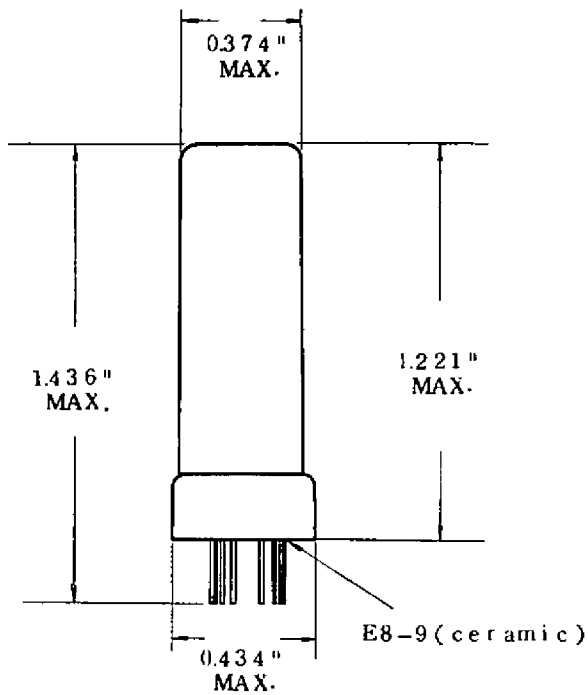
TOSHIBA ELECTRON TUBE

AVERAGE PLATE CHARACTERISTICS

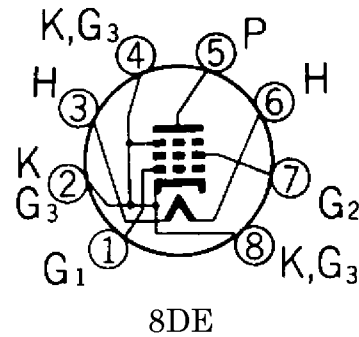


Toshiba
TOSHIBA ELECTRON TUBE

8528
DIMENSIONAL OUTLINE:
 Dimensions in Inches



8528
BASING DIAGRAM:
 Bottom View



- Pin 1: No. 1 Grid
- Pin 2: No. 3 Grid, Cathode
- Pin 3: Heater
- Pin 4: No. 3 Grid, Cathode
- Pin 5: Plate
- Pin 6: Heater
- Pin 7: No. 2 Grid
- Pin 8: No. 3 Grid, Cathode

All inquiries as to the data should be addressed to Tube and Semiconductor Division,
 Tokyo Shibaura Electric Co., Ltd., 12, 1-chome, Yuraku-cho, Chiyoda-ku, Hibiya
 Mitsui Building, Tokyo, Japan.